

TUBE•LINE™

Tubeline Manufacturing Limited
6455 Reid Woods Drive RR #4
Elmira, Ontario, Canada N3B 2Z3

Email: sales@tubeline.ca

Fax: 519.669.5808

Tel: 519.669.9488

Toll-free (North America): 1.888.856.6613

www.tubeline.ca

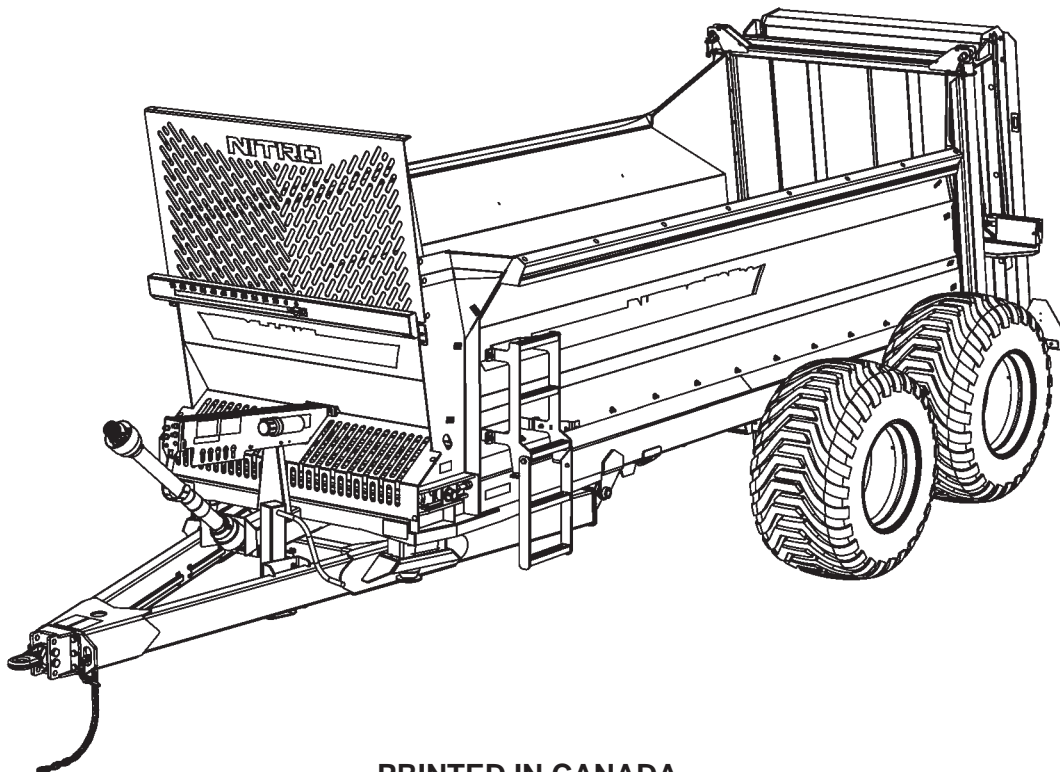
Parts Manual

Keep this manual with the machine at all times.

NITRO

Manure Spreader

Nitro 725RS



Parts Manual

Thank you for choosing the Tubeline 725RS Manure Spreader. Our hope is that it will give you many years of productive service. This machine is designed to wrap a continuous line of round bales in a film of plastic.

Warranty and Limitation of Liability

All equipment is sold subject to mutual agreement that it is warranted by the company to be free from defects of materials and workmanship. But the company shall not be liable for special, indirect or consequential, damages of any kind under this contract or otherwise. The company's liability shall be limited exclusively to replacing or repairing without charge, at its factory or elsewhere, at its discretion.

Any material, or workmanship defects which become apparent within one year from the date on which the equipment was purchased, and the company shall have no liability for damages of any kind. The buyer by the acceptance of the equipment will assume all liability for any damages, which may result from the use or misuse by his employees or others.

Nitro Apron Chain Warranty



Tubeline Manufacturing Ltd offers a limited lifetime non-transferable warranty to the original purchaser of a Nitro manure spreader. This warranty applies to chain link breakage and covers parts only. Should a connecting link fail, only it will be replaced. However, if a standard link breaks the complete chain will be provided. Freight and labor to install is the responsibility of the purchaser and is not covered under the terms of the limited warranty.

Tubeline Manufacturing Ltd reserves the right to request the return of the failed chain.

Warranty coverage is null and void unless Warranty Registration form has been completely filled in and is on file at Tubeline Manufacturing Ltd.

Manuals

Parts manuals are printed and shipped with machines as they leave the manufacturer. Your machine may include parts or features not yet included in the initially shipped manual. The latest manual version can be found at www.tubeline.ca/support. Tubeline reserves the right to update and change manuals as seen fit. Dealers are informed of any pressing changes/ modifications. They can help you with any questions regarding replacement parts.

Serial Number

The implement serial number is located above the front left apron drive bearing. This number helps us to track changes and improvements and must be mentioned when ordering parts or requesting service. For your convenience, a space has been provided inside the front cover of this manual to record the serial number, model number, purchase date, and dealer name.

Model No: _____ N725RS _____

Serial No: _____

Date Purchased: _____

Dealer Name: _____

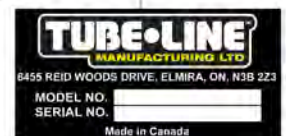
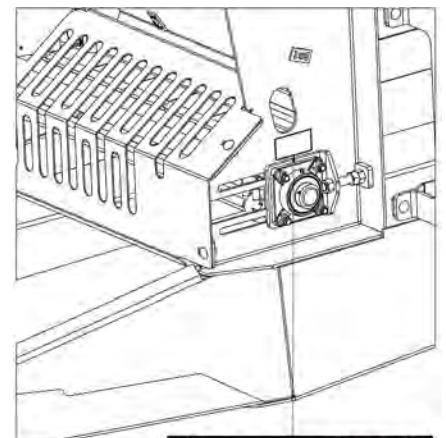


Table of Contents

Parts Manual	II
Warranty and Limitation of Liability	II
Nitro Apron Chain Warranty	II
Manuals	II
Serial Number	II
Safety Signs	V
Model Decal Locations	V
ISO Safety Decal Locations	VI
ISO Safety Decals	VII
Section 2 - Parts Breakdowns & Lists	2-1
Tongue	2-2
Front Components	2-4
Front Scraper	2-6
Front Apron Drive	2-8
Rear Apron Drive	2-10
Apron Runners	2-12
Endgate	2-14
45307 - Beaters - Up to SN 24NRS401	2-16
Beater Gearbox - 1 3/4" 6-Spline - Up to SN 24NRS401	2-18
49849 - Beaters - SN 24NRS402 to Current	2-20
Driveline	2-22
Boards	2-24
Single Axle	2-26
Tandem Axle - Non Scale Ready	2-28
Tandem Axle - Scale Ready	2-30
Hydraulic Schematic	2-32
Section 3 - Optional Features	3-1
Optional Kit Numbers	3-1
Hitch Options	3-2
Mechanical Light Kit - 43673	3-4
Light Kit Wiring Harness	3-6
N750LC (GT400) / N750LCNT460 Scales	3-8
N750LCNT8000 Scales	3-9
Flow Control Mounting	3-10
Flow Control Hydraulic Layout - Manual	3-11
Flow Control Hydraulic Layout - Electric (Original)	3-12
Flow Control Hydraulic Layout - Electric (Current)	3-13
Electric Flow Control Wiring	3-14
Flange Paddle Kit - 41503 - Up to SN 24NRS401	3-16
Flange Paddle Kit - 47961 - SN 24NRS402 to Current	3-17
Endgate Indicator Kit - 45414	3-18
Silage Side Extensions - TLVSSE725	3-20

Section 4 - Option - Poultry Beaters	4-1
Poultry Beaters - Frame	4-1
Poultry Beaters - Endgate	4-3
Poultry Beaters - Beaters	4-5
Poultry Beaters - Drivelines	4-7
Poultry Beaters - Spinners	4-9
Poultry Beaters - 45002 - Gearbox Assembly	4-11
Poultry Beaters - 45003 - Gearbox Assembly	4-13
Poultry Beaters - 45004 - Gearbox Assembly	4-15
Poultry Beaters - 43976 - Short Driveline	4-17
Poultry Beaters - 43977 - Long Driveline	4-19
Poultry Beaters - 50241 - Light Kit Extension Option	4-21
Section 5 - PTOs	5-1
39850 - PTO. 375,450,525,600,750 (V80-141P028359-028028-CV80-CLS)	5-2
39851 - PTO. 375,450,525,(T60-086P265011-306048-CLS(3500NM))	5-4
Section 6 - Gearboxes	6-1
30843 - Apron Chain Gearbox - Up to SN 23NRS406	6-1
30846 - Beater Gearbox - Up to SN 24NRS401	6-3
49996 - Apron Chain Gearbox - SN 23NRS407 to Current	6-5
49604 - Beater Gearbox - SN 24NRS403 to Current	6-7
Torque Value Chart - Imperial	VIII
Torque Value Chart - Metric	IX

Safety Signs

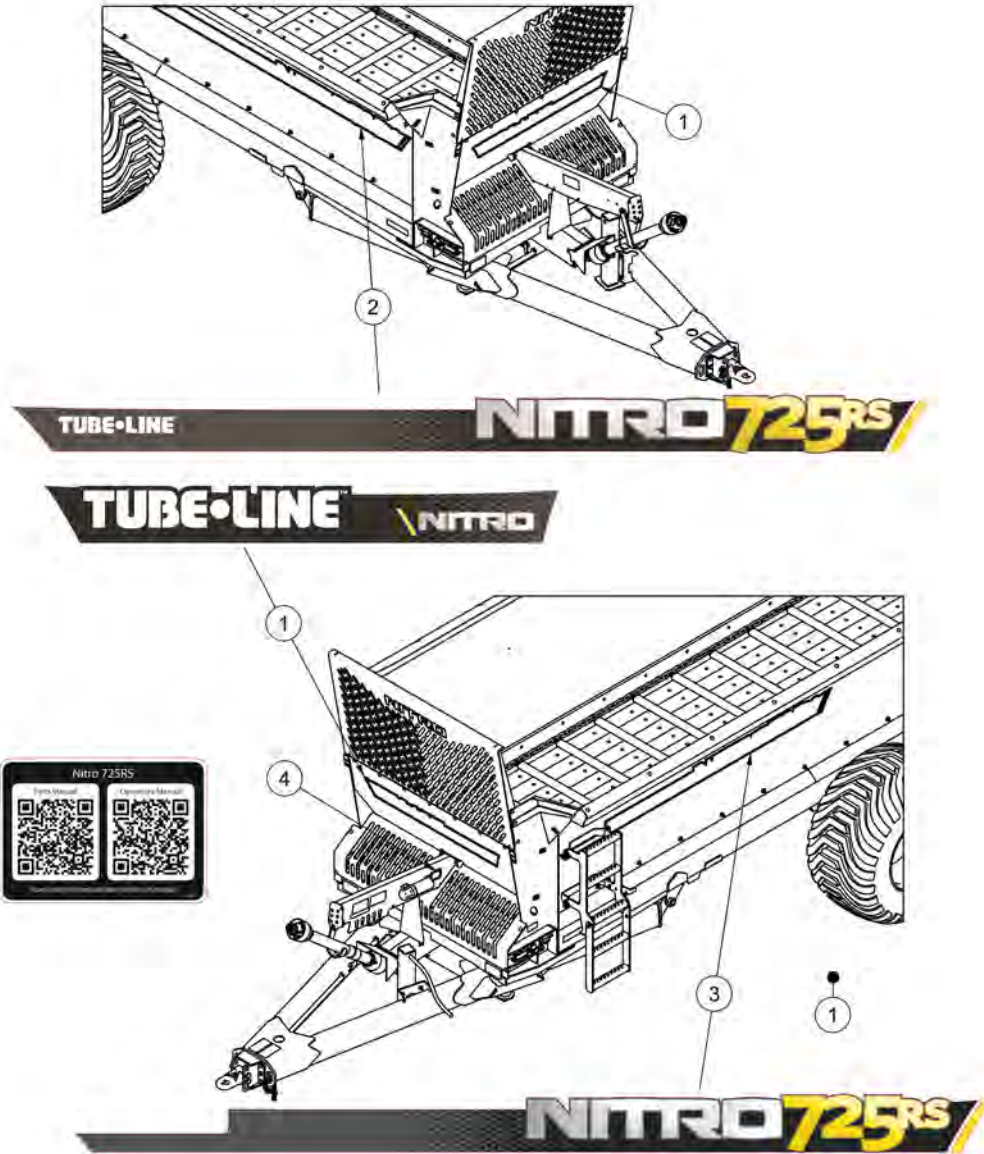
The types of safety signs and locations on the equipment are shown in the illustrations that follow. Good safety requires that you familiarize yourself with the various safety signs, the types of warning, and the area, or proper function related to that area, that requires your safety awareness.

Examples only - Actual decals may differ in text and graphic representation.

REMEMBER

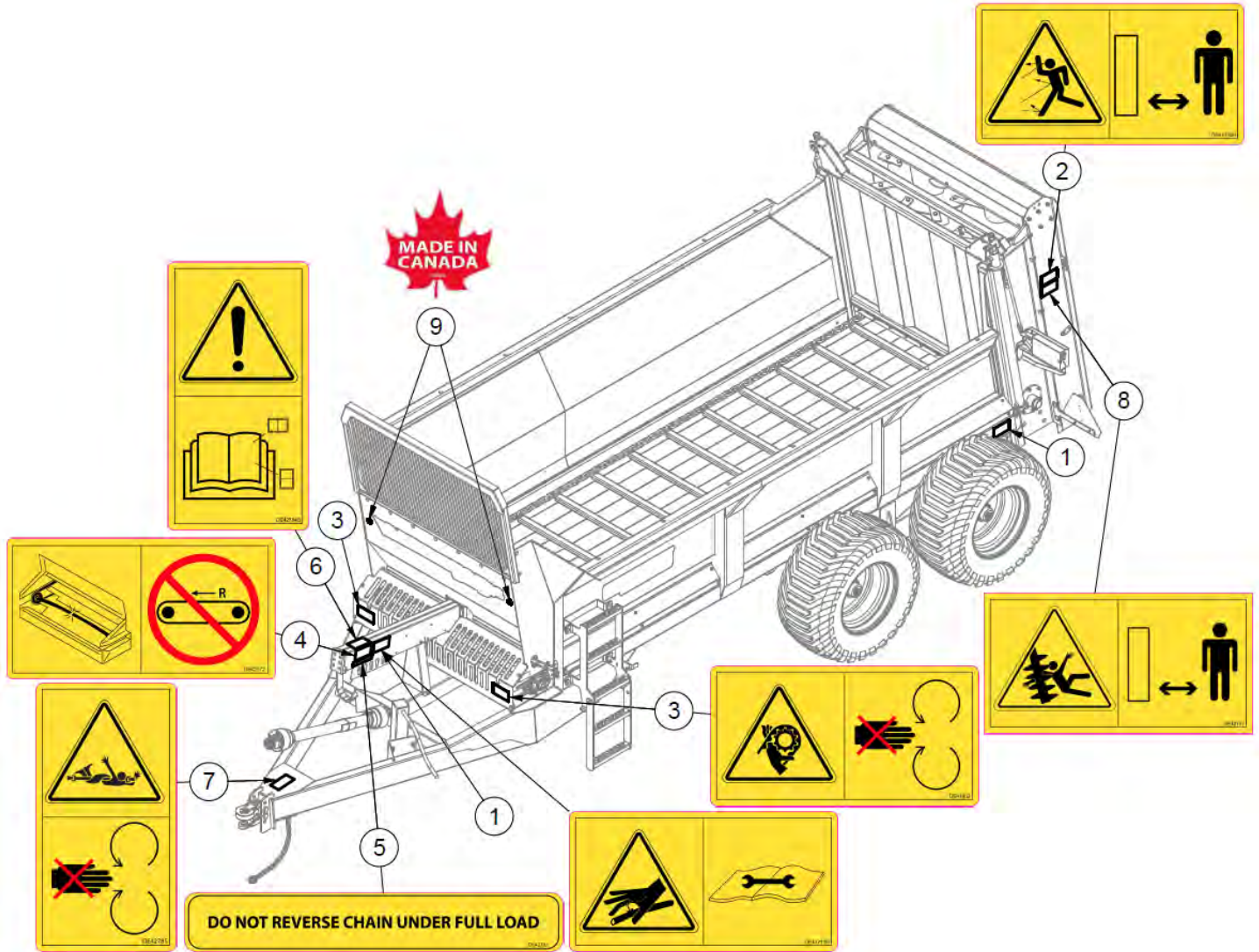
If safety signs have been damaged, removed, become illegible or parts replaced without safety signs, new safety signs must be applied. New safety signs are available from your authorized dealer.

Model Decal Locations



ITEM	QTY	PART NUMBER	DESCRIPTION	NOTE
1	1	DE45955	725RS Model Decal Package	Inc. all Items
1	1	DE45009	725RS Front Decal	
2	1	DE45957	725RS Model Decal - Right	
3	1	DE45956	725RS Model Decal - Left	
4	1	DE50037	725RS QR Code Decal	

ISO Safety Decal Locations



ITEM	QTY	PART NUMBER	DESCRIPTION
1	6	DE41713H	ISO Decal - High Pressure Fluid Horizontal
2	2	DE41718H	ISO Decal - Thrown Object Horizontal
3	2	DE41902	ISO Decal - Chain Entanglement
4	1	DE42772	ISO Decal - Nitro Reverse Chain
5	1	DE42783	Nitro Reverse Chain Text Decal
6	1	DE42784	ISO Decal - Read OM Decals Section
7	1	DE42785	ISO Decal - PTO Entanglement
8	2	DE42787	ISO Decal - Nitro Beater Entanglement
9	2	DECANADA	Decal Made In Canada

ISO Safety Decals



Item 1: DE41713H

Do not use hand to check for hydraulic leaks, alternatively use a piece of cardboard.



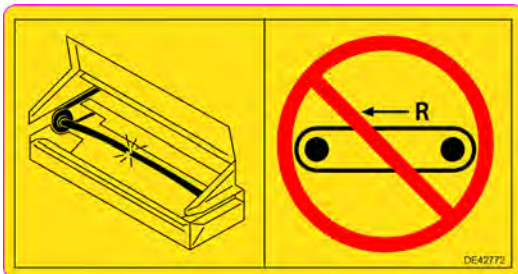
Item 2: DE41718H

Keep clear of machine while operating. Serious injury may occur.



Item 3: DE41902

Keep hands clear of rotating parts while machine running. Do not operate without shielding in place. Do not wear loose clothing while operating.



Item 4: DE42772

Reversing apron chain while spreader is fully loaded will cause front apron shaft breakage.



Item 5: DE42783



Item 6: DE42784

Read Operator's manual decal section to understand safety decals.



Item 7: DE42785

Do not use hand to check for hydraulic leaks, alternatively use a piece of cardboard.

Item 8: DE42787

Stand clear of rotating beaters to avoid entanglement. Serious injury or death hazard.



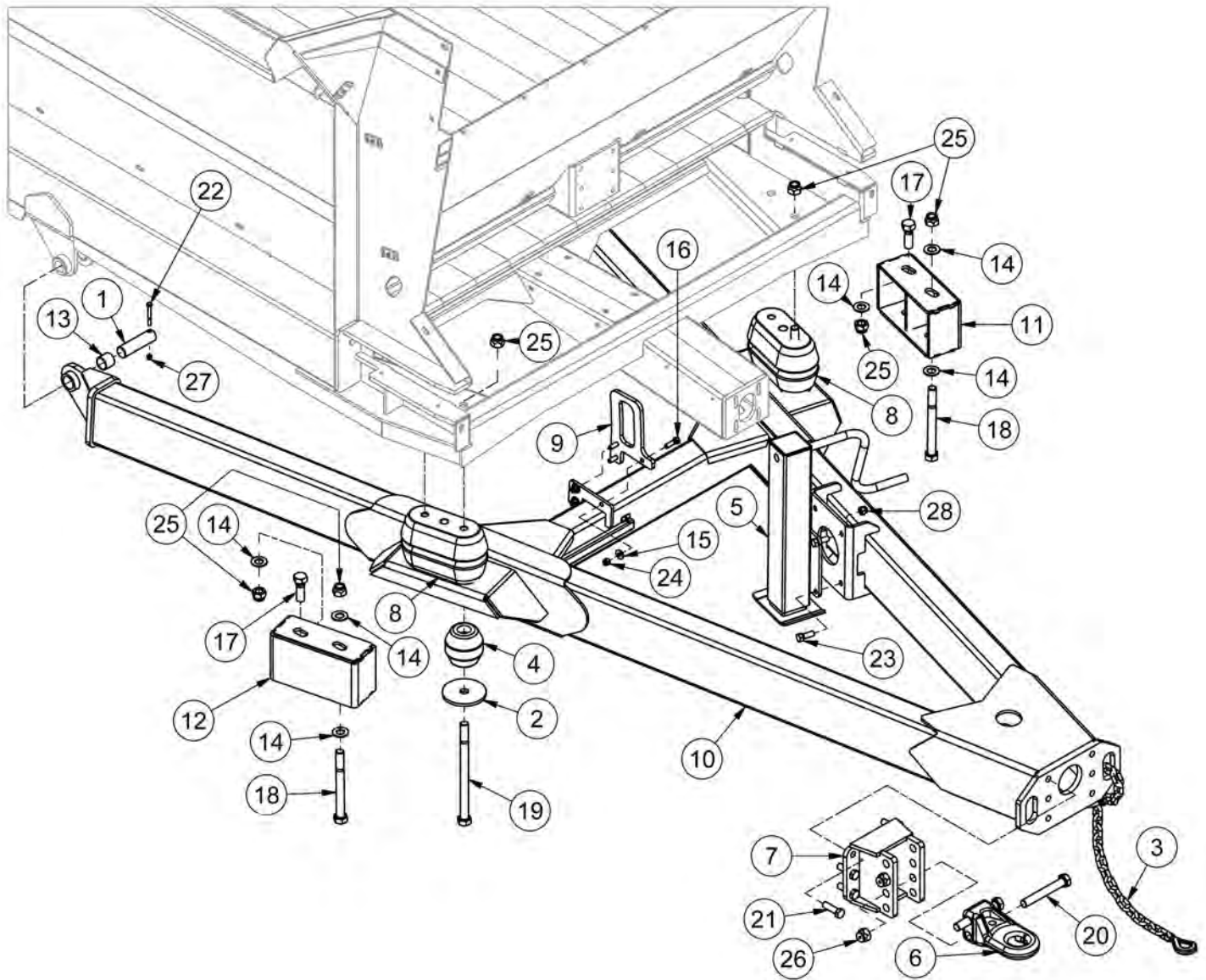
Item 9: DECANADA

Manufacturer's country of origin.



Section 2 - Parts Breakdowns & Lists

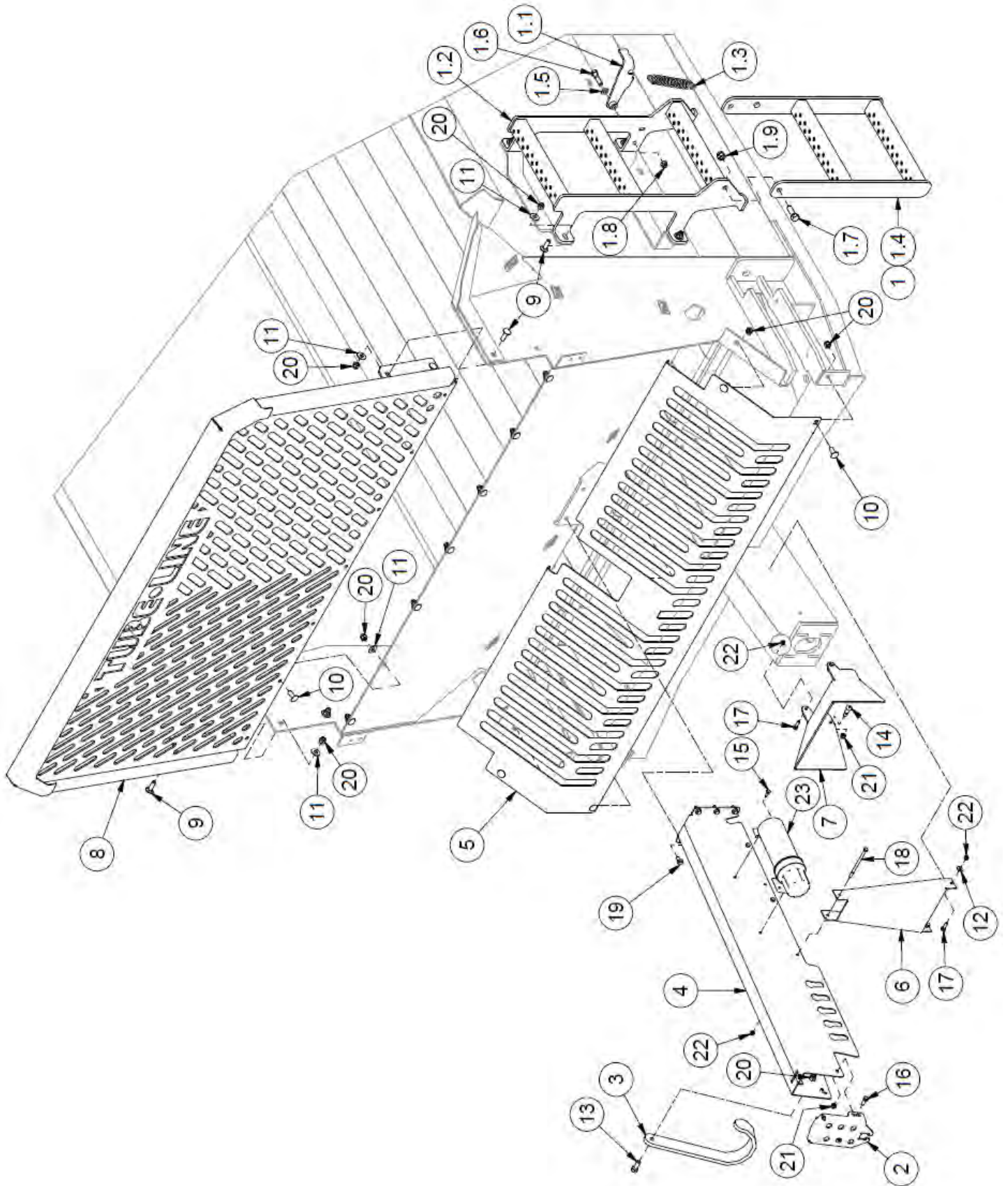
Tongue



Tongue

ITEM	QTY	PART NUMBER	DESCRIPTION	NOTE
1	2	700-470	Tongue Pivot Pin	
2	2	700-473	Pull Washer	Optional
3	1	25262	Safety Chain 20000 # 60"	
4	2	30823	Small Suspension Bushing	Optional
5	1	30850	Jack	Optional
6	1	32853	Cat.4 Hitch Base	Htich Options - Pg.3-2
7	1	35451	Pull Plate	
8	2	42958	Rectanglular Double Convolution 75 Durometer Spring	Optional
9	1	45277	Safety Hook	
10	1	45301	Spring Tongue	
11	1	45310	Left Suspension Block	Standard
12	1	45311	Right Suspension Block	Standard
13	2	BEA1.5X1.75X1.5	Bronze Olite Bearing 1.75 OD X 1.5 ID. X 1.5 Long	
14	6	FW 1.0	Flatwasher - 1" Zinc Plated USS	
15	3	FW 1/2	Flatwasher - 1/2" Zinc Plated USS	
16	3	HB1/2-13X1.75Z5	Hex Bolt 1/2-13x1 3/4 Grade 5 Zinc Plated Hex Cap Screw	
17	2	HB1-8X3Z5	Hex Bolt 1-8x3 Grade 5 Zinc Plated Hex Cap Screw	Standard
18	2	HB1-8X10Z5	Hex Bolt 1-8x10 Grade 5 Zinc Plated Hex Cap Screw	Standard
19	2	HB1-8X14.5Z5	Hex Bolt 1-8x14 1/2 Grade 5 Zinc Plated Hex Cap Screw	
20	2	HB1-14X7YZ8	Hex Bolt 1-14x7 Grade 8 Zinc Hex Cap Screw	
21	6	HB3/4-16X2.5YZ8	Hex Bolt 3/4-16x2 1/2 Grade 8 Zinc Hex Cap Screw	
22	2	HB3/8-16X3Z5	Hex Bolt 3/8-16x3 Grade 5 Zinc Plated Hex Cap Screw	
23	4	HB5/8-11X1.75Z5	Hex Bolt 5/8-11x1 3/4 Grade 5 Zinc Plated Hex Cap Screw	
24	3	LN1/2-13NCZ5	LN 1/2-13 Zinc Plated Nylon Insert Lock Nut	
25	6	LN1-8NCZ5	LN 1-8 Zinc Plated Nylon Insert Lock Nut	
26	2	LN1-14NFZ8	1-14 Gr.8 Zinc Nylon Lock Nut	
27	14	LN3/8-16NCZ5	LN 3/8-16 Zinc Plated Nylon Insert Lock Nut	
28	4	LN5/8-11NCZ5	LN 5/8-11 Zinc Plated Nylon Insert Lock Nut	

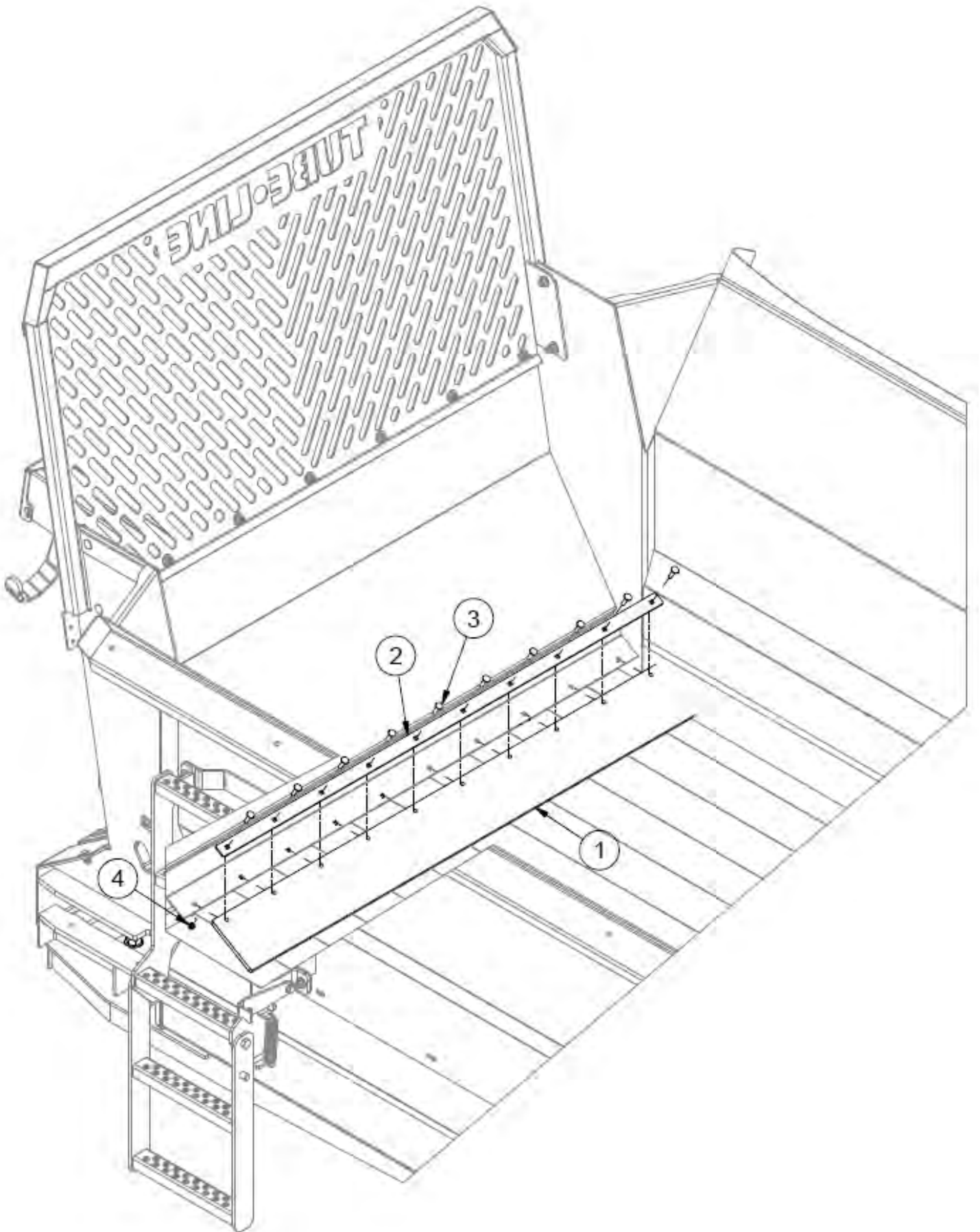
Front Components



Front Components

ITEM	QTY	PART NUMBER	DESCRIPTION
1	1	600-322	Complete Ladder
1.1	1	35389	Ladder Latch
1.2	1	600-323	Top Ladder Section
1.3	1	700-127	Spring
1.4	1	700-608	Ladder Bottom Section
1.5	1	FW 1/2	Flatwasher - 1/2" Zinc Plated USS
1.6	1	HB 1/2-13X2 Z5	Hex Bolt 1/2-13x2 Grade 5 Zinc Plated Hex Cap Screw
1.7	2	HB 5/8-11X1.75 Z5	Hex Bolt 5/8-11x1 3/4 Grade 5 Zinc Plated Hex Cap Screw
1.8	1	LN 1/2 N	LN 1/2-13 Zinc Plated Nylon Insert Lock Nut
1.9	2	LN 5/8 N	LN 5/8-11 Zinc Plated Nylon Insert Lock Nut
2	1	35425	Hose Mount
3	1	35754	PTO Holder
4	1	43902	RS Hydraulic Hose Hanger
5	1	45248	Apron Cover
6	1	45249	Hose Hanger Support
7	1	45292	PTO Cover
8	1	45300	Stone Guard
9	8	CB 1/2-13 X1.5 Z5	Carriage Bolt - 1/2-13 x 1 1/2" Grade 5 Zinc
10	11	CB 1/2-13 X1.25 Z5	Carriage Bolt - 1/2-13 x 1 1/4" Grade 5 Zinc
11	15	FW 1/2	Flatwasher - 1/2" Zinc Plated USS
12	2	FW 5/16	Flatwasher - 5/16" Zinc Plated USS
13	1	HB 1/2-13X1.25 Z5	Hex Bolt 1/2-13x1 1/4 Grade 5 Zinc Plated Hex Cap Screw
14	1	HB 1/2X3/4 SS	Socket Head Shoulder Screws - 1/2 Shldr x 3/4 x 3/8-16
15	2	HB 1/4-20X0.75 Z5	Hex Bolt 1/4-20x3/4 Grade 5 Zinc Plated Hex Cap Screw
16	2	HB 3/8-16X1 Z5	Hex Bolt 3/8-16x1 Grade 5 Zinc Plated Hex Cap Screw
17	4	HB 5/16-18X1 Z5	Hex Bolt 5/16-18x1 Grade 5 Zinc Plated Hex Cap Screw
18	3	HB 5/16-18X5 Z5	Hex Bolt 5/16-18x5 Grade 5 Zinc Plated Hex Cap Screw
19	6	HBC3/8X0.75	Hex Bolt Cerrated 3/8-16 x 3/4 Zinc Flange Bolt
20	20	LN 1/2 N	LN 1/2-13 Zinc Plated Nylon Insert Lock Nut
21	17	LN 3/8 N	LN 3/8-16 Zinc Plated Nylon Insert Lock Nut
22	7	LN 5/16 N	LN 5/16-18 Zinc Plated Nylon Insert Lock Nut
23	1	TL5X2-201-111	Operator's Manual Holder

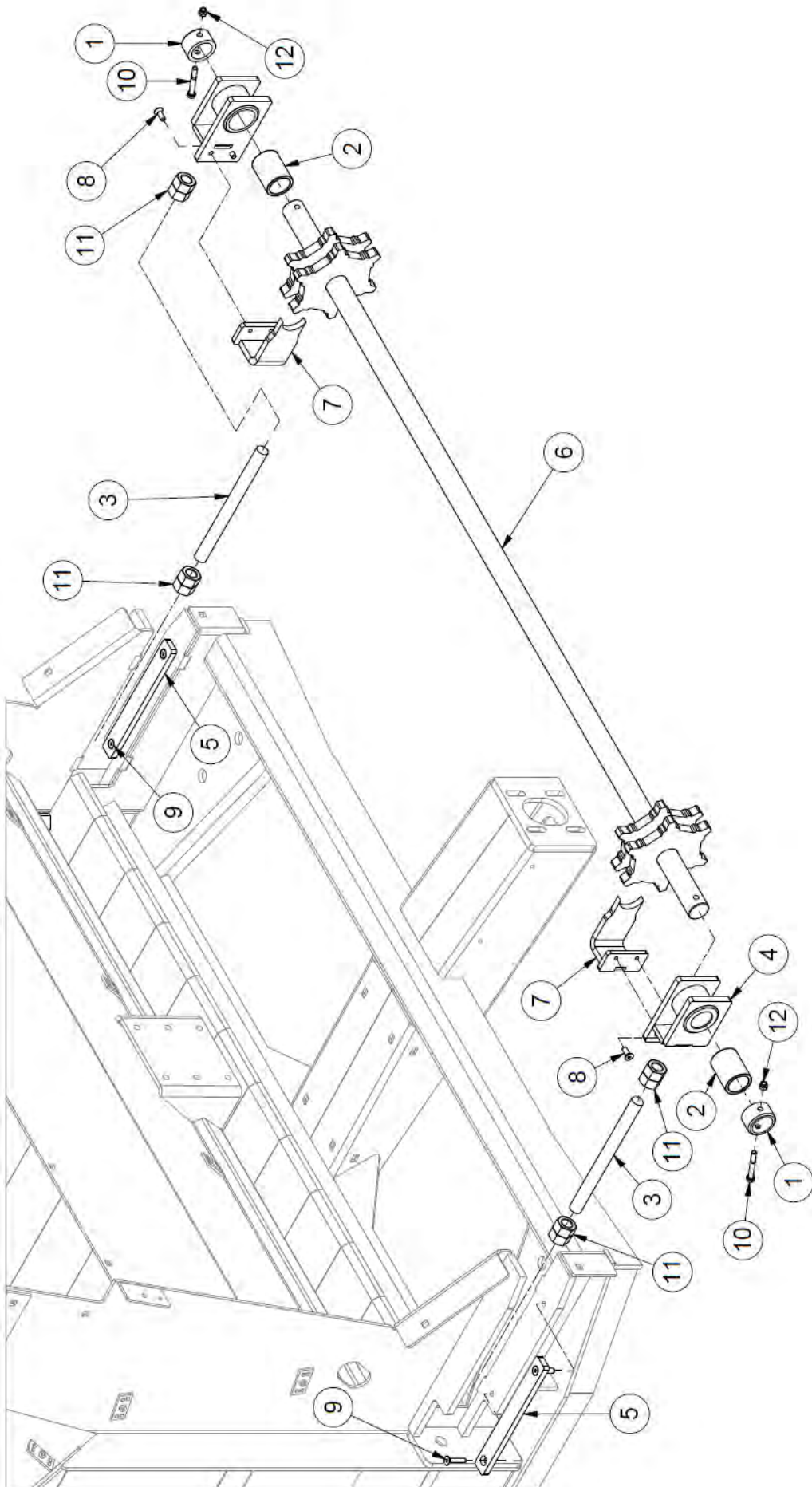
Front Scraper



Front Scraper

ITEM	QTY	PART NUMBER	DESCRIPTION
1	1	700-101	Rubber Endgate Seal
2	1	700-103	Rubber Hold Down
3	10	CB 3/8-16 X1.5 Z5	Carriage Bolt - 3/8-16 x 1 1/2" Grade 5 Zinc
4	10	LN 3/8 N	LN 3/8-16 Zinc Plated Nylon Insert Lock Nut

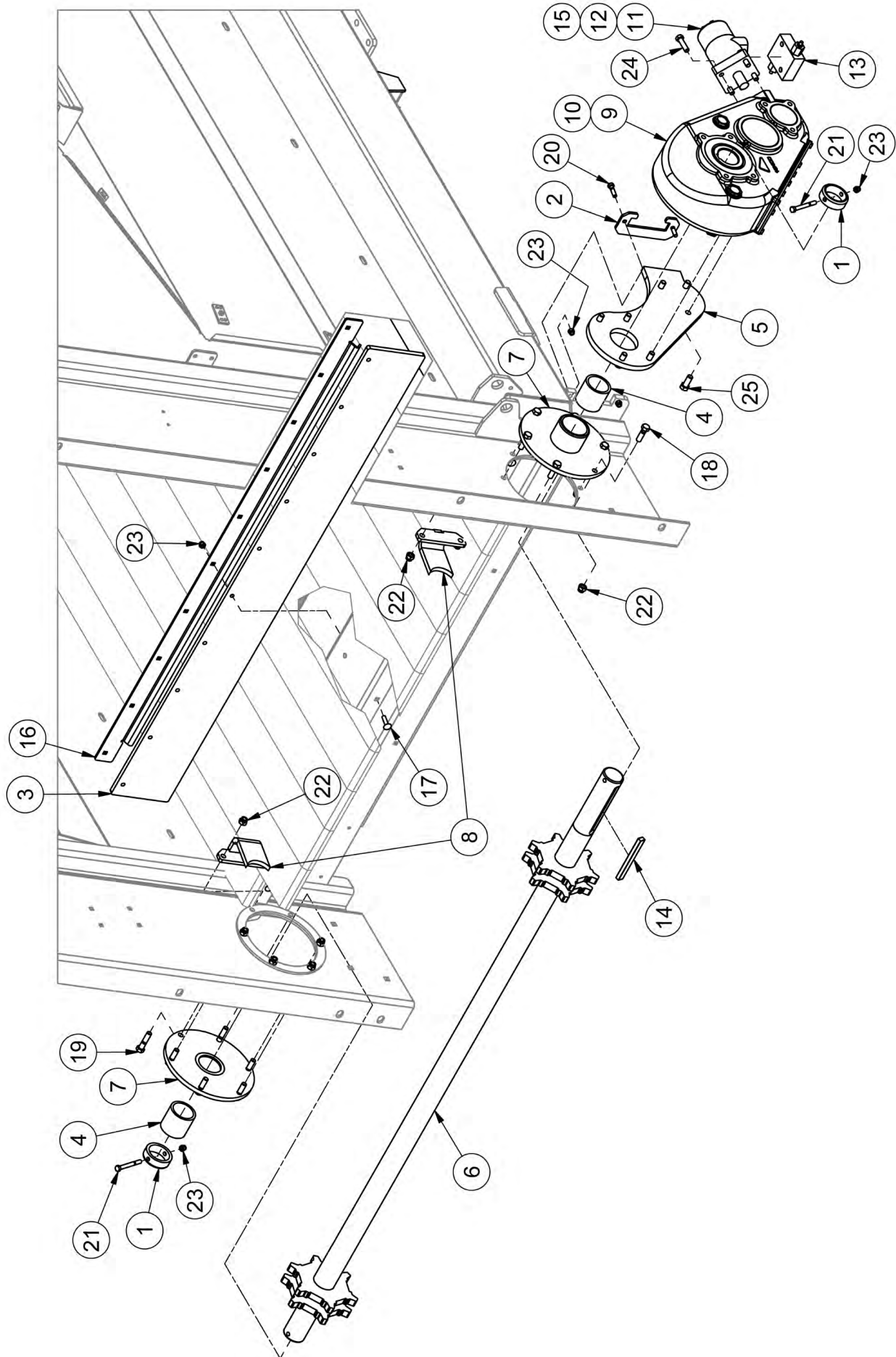
Front Apron Drive



Front Apron Drive

ITEM	QTY	PART NUMBER	DESCRIPTION
1	2	600-808	Apron Shaft Bushing
2	2	600-809	Bushing
3	2	700-040	Threaded Rod Tightener
4	1	45096	Right Tensioner Bushing Housing
5	2	45254	Tightener Guide
6	1	45304	Front Apron Shaft Asm
7	2	45419	675 Front Scraper
8	4	HB 3/8-16X1 FHSCS	Hex Bolt - 3/8"-16 x 1" Flat Socket Cap Screw
9	4	HB 3/8-16X1.75 FHSCS	Hex Bolt - 3/8"-16 x 1 3/4" Flat Socket Cap Screw
10	2	HB 3/8-16X3 Z5	Hex Bolt 3/8-16x3 Grade 5 Zinc Plated Hex Cap Screw
11	8	HN 1	Hex Nut 1"-8 Grade 5 Zinc Plated Finished
12	2	LN 3/8 N	LN 3/8-16 Zinc Plated Nylon Insert Lock Nut

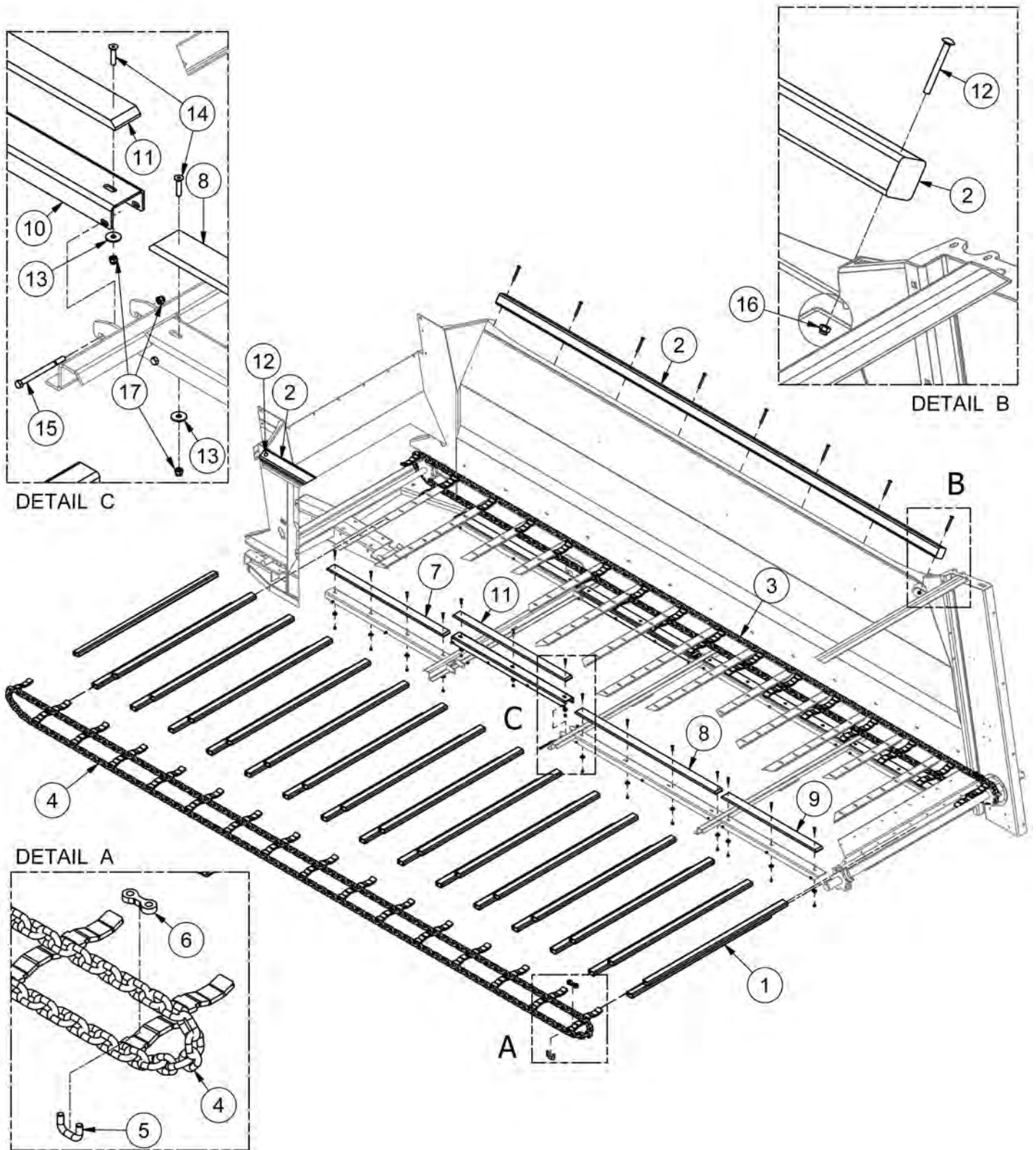
Rear Apron Drive



Rear Apron Drive

ITEM	QTY	PART NUMBER	DESCRIPTION	NOTE
1	2	450-371	Apron Shaft Bushing	
2	1	450-433	Torque Arm Retainer	
3	1	700-101	2 Ply Rubber Belt - 7.0X66.38	
4	2	700-431	Apron Bushing	
5	1	700-444	Gearbox Torque Arm	
6	1	700-636	Rear Apron Drive Shaft	
7	2	700-638	Bearing Housing	
8	2	700-639	Apron Shaft Scraper	
9	1	30843	Apron Drive Gearbox	See Pg.6-2
10	1	49996	CNM650 Apron Gear Box	See Pg.6-6
11	1	30854	Hydraulic Motor	Standard
12	1	SK-SMRS-SK	Seal Kit - Gear Box Motor	
13	1	30856	Hydraulic Cross Port Relief for Motor - Spreaders	
14	1	30859	Metric Key 18 x 11 x 150	
15	1	40718	Hydraulic Motor - Speed Sensor	Scale Option Only
16	1	47566	Wiper Guide	
17	10	CB3/8-16X1.5CZ5	Carriage Bolt - 3/8-16 x 1 1/2" Grade 5 Zinc	
18	8	HB1/2-13X1.75Z5	Hex Bolt 1/2-13x1 3/4 Grade 5 Zinc Plated Hex Cap Screw	
19	4	HB1/2-13X2.25Z5	Hex Bolt 1/2-13x2 1/4 Grade 5 Zinc Plated Hex Cap Screw	
20	2	HB3/8-16X1.5Z5	Hex Bolt 3/8-16x1 1/2 Grade 5 Zinc Plated Hex Cap Screw	
21	2	HB3/8-16X3.5Z5	Hex Bolt 3/8-16x3 1/2 Grade 5 Zinc Plated Hex Cap Screw	
22	12	LN1/2-13NCZ5	LN 1/2-13 Zinc Plated Nylon Insert Lock Nut	
23	20	LN3/8-16NCZ5	LN 3/8-16 Zinc Plated Nylon Insert Lock Nut	
24	4	M12X45X1.75	Metric Bolt	
25	7	M14X35X2	Metric Bolt	

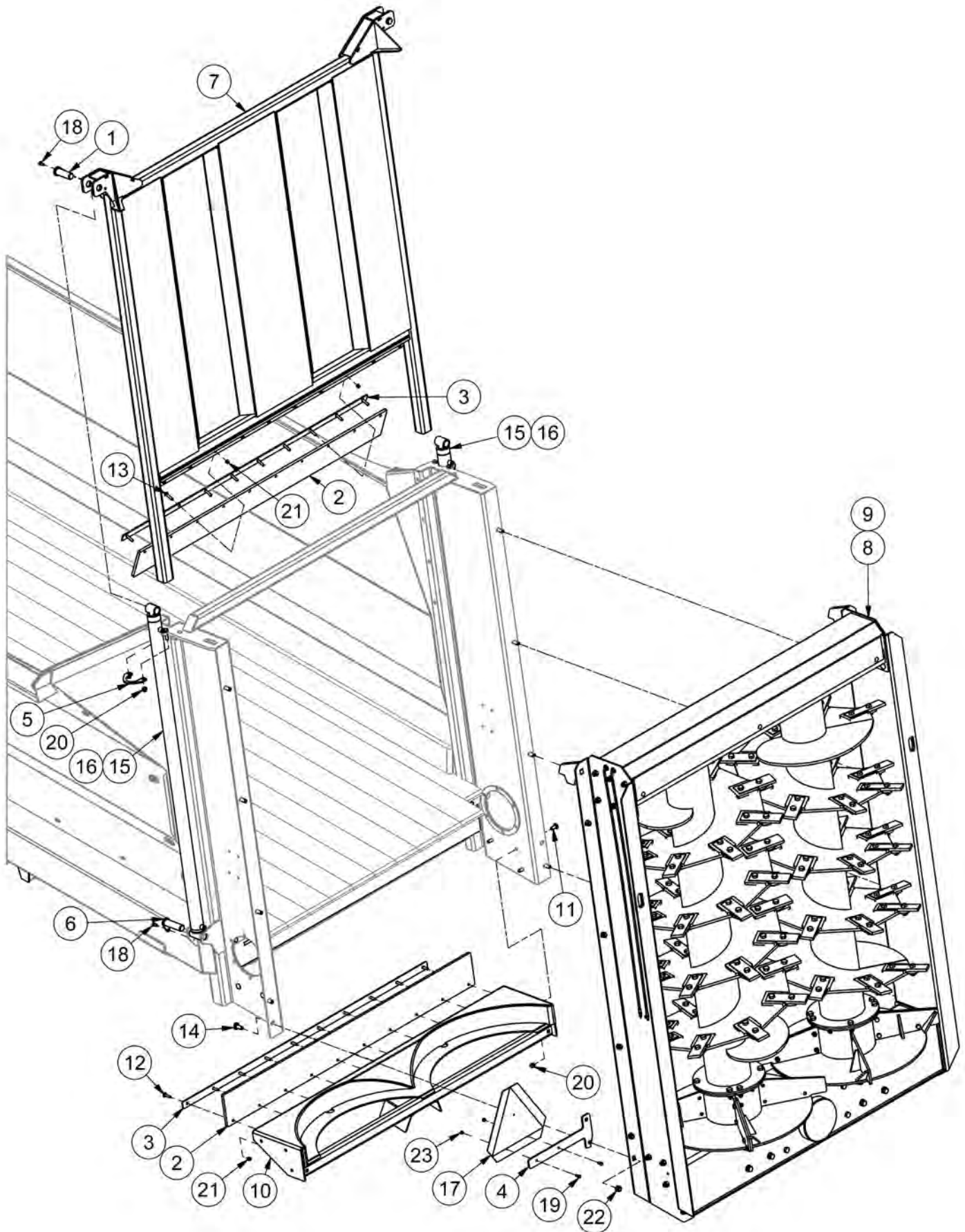
Apron Runners



Apron Runners

ITEM	QTY	PART NUMBER	DESCRIPTION	NOTE
1	31	37821	Nitro Chain Slats .18 X 1.5 X 2.5 X 60" Galvanized	
2	2	45223	Pressure Treated Bumper	Obtain Locally
3	1	46082	Right Apron Chain w/ Lugs	Incl. Items 5,6
4	1	46083	Left Apron Chain w/ Lugs	Incl. Items 5,6
5	2	400-889	Connector Link Rod	
6	2	400-890	Chain Connector Link Tab	
7	2	46426	Front Apron Runner	
8	2	46427	Third Apron Runner	
9	2	46428	Rear Apron Runner	
10	2	600-779	Apron Runner Mount	
11	2	600-860	Middle Apron Runner	
12	16	CB1/2-13X4.5CZ5	Carriage Bolt - 1/2-13 x 4 1/2" Grade 5 Zinc	
13	28	FW 3/8	Flatwasher - 3/8" Zinc Plated USS	
14	28	FHSCS3/8-16X1.75	Hex Bolt - 3/8"-16 x 1 3/4" Flat Socket Cap Screw	
15	4	HB3/8-16X5Z5	Hex Bolt 3/8-16x5 Grade 5 Zinc Plated Hex Cap Screw	
16	16	LN1/2-13NCZ5	LN 1/2-13 Zinc Plated Nylon Insert Lock Nut	
17	54	LN3/8-16NCZ5	LN 3/8-16 Zinc Plated Nylon Insert Lock Nut	

Endgate

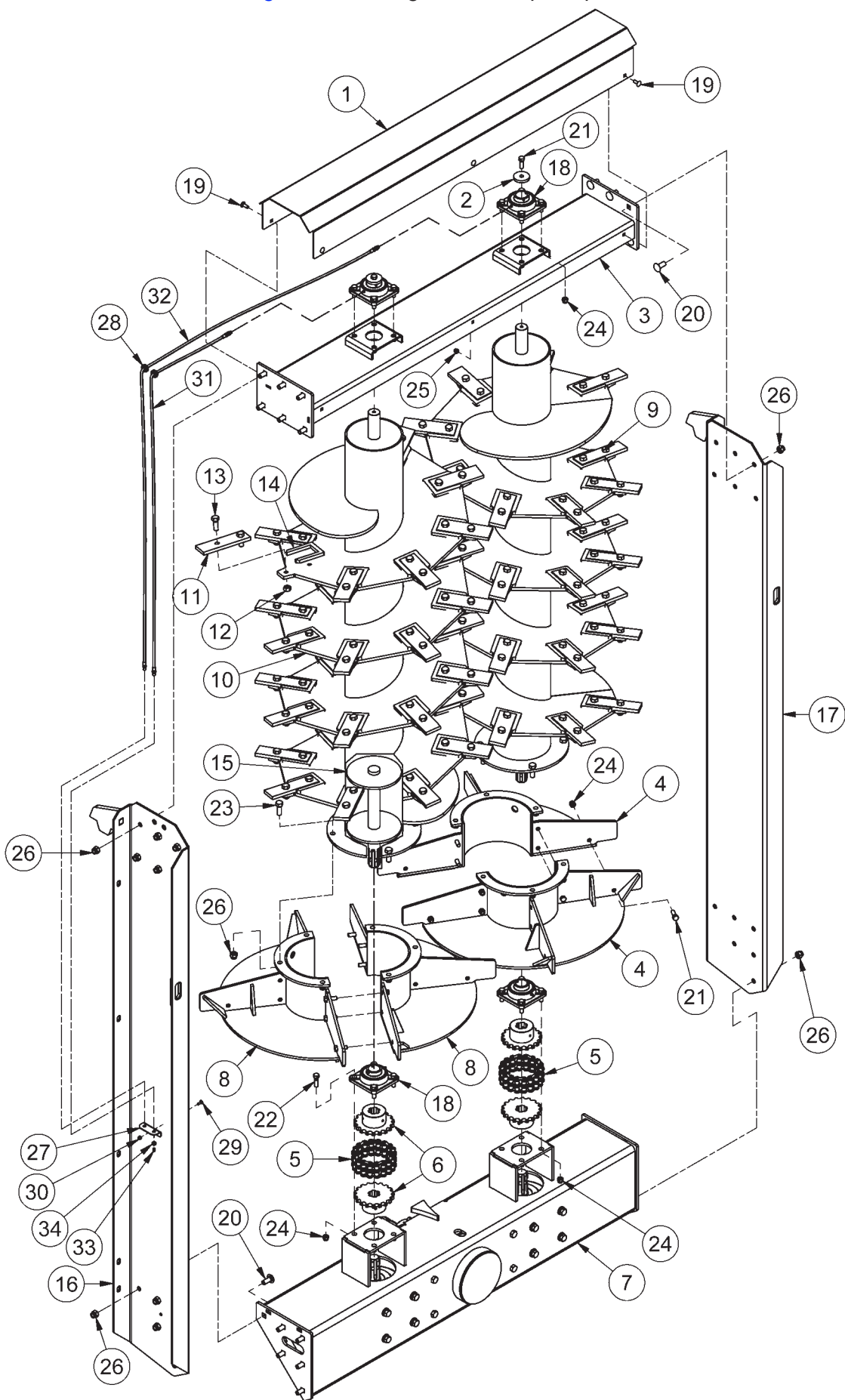


Endgate

ITEM	QTY	PART NUMBER	DESCRIPTION	NOTE
1	2	400-601	Pin	
2	2	700-101	Rubber Endgate Seal	Up to SN 24NRS401
3	2	700-103	Rubber Hold Down	Up to SN 24NRS401
4	1	700-108	SMV Sign Mount	
5	2	375-142	End Gate Cylinder Support	
6	2	700-619	Pin	
7	1	45302	Endgate	
8	1	45307	Vertical Beater Complete Assembly	Up to SN 24NRS401 See pg.2-16
9	1	49849	Beater Assembly	SN 24NRS402 to Current See pg.2-20
10	1	45312	675RS Spinner Pan	Up to SN 24NRS401
11	6	CB1/2-13X1.25CZ5	Carriage Bolt - 1/2-13 x 1 1/4" Grade 5 Zinc	
12	10	CB3/8-16X1.5CZ5	Carriage Bolt - 3/8-16 x 1 1/2" Grade 5 Zinc	
13	10	CB3/8-16X1.75CZ5	Carriage Bolt - 3/8-16 x 1 3/4" Grade 5 Zinc	
14	9	CB5/8-11X1.5CZ5	Carriage Bolt - 5/8-11 x 1 1/2" Grade 5 Zinc	
15	2	CYL31732	Cylinder - 2" X 63.5" X 1.5"	
16	2	SKFH20-15	Nitro Endgate Seal Kit	
17	1	DESMV	Slow Moving Vehicle Sign	
18	4	HB3/8-16X0.75Z5	Hex Bolt 3/8-16x3/4 Gr 5 Zinc Plated Hex Cap Screw	
19	2	HB5/16-18X0.75Z5	Hex Bolt 5/16-18x3/4 Gr 5 Zinc Plated Hex Cap Screw	
20	10	LN1/2-13NCZ5	LN 1/2-13 Zinc Plated Nylon Insert Lock Nut	
21	20	LN3/8-16NCZ5	LN 3/8-16 Zinc Plated Nylon Insert Lock Nut	
22	9	LN5/8-11NCZ5	LN 5/8-11 Zinc Plated Nylon Insert Lock Nut	
23	2	LN5/16-18NCZ5	LN 5/16-18 Zinc Plated Nylon Insert Lock Nut	

45307 - Beaters - Up to SN 24NRS401

See [Pg.3-16](#) for Flange Paddle Option parts.

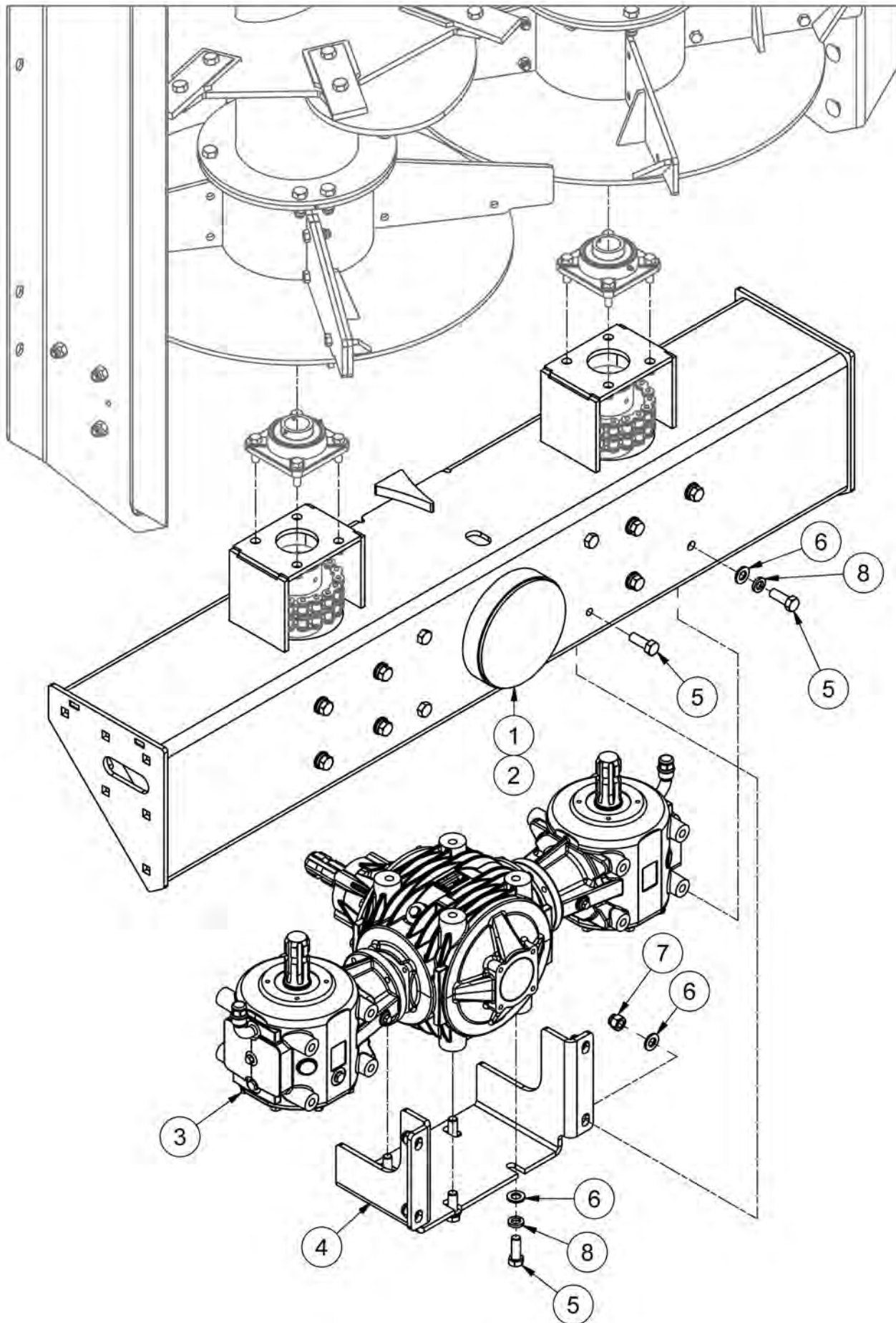


45307 - Beaters - Up to SN 24NRS401

See [Pg.3-16](#) for Flange Paddle Option parts.

ITEM	QTY	PART NUMBER	DESCRIPTION	NOTE
1	1	700-105	Top Beater Cover	
2	2	700-157	Load Bearing Washer	
3	1	700-400	750 Upper Cross Beam	
4	2	700-617	Right Beater Spinner	
5	2	31518	#80 Coupling Chain	
6	4	700-645	Sprocket Weldment	
7	1	35803	Large Rear Drive Assembly	See pg.2-18
8	2	36967	Beater Spinner	
9	1	45305	Nitro 725 RH Beater Assembly	Incl. Items 11-15
10	1	45306	Nitro 725 LH Beater Assembly	Incl. Items 11-15
11	32	400-438	Beater Paddle	Qty=1 Beater
12	64	LN5/8-11TCZ5	LN5/8-11 Gr.C Zinc Top Lock Nut	Qty=1 Beater
13	64	HB5/8-11X1.75Z5	Hex Bolt 5/8-11x1 3/4 Gr.5 Zinc Plated Hex Cap Screw	Qty=1 Beater
14	32	47476	Paddle Retainer	Qty=1 Beater
15	1	43876	Lower Shaft Assembly	Qty=1 Beater
16	1	45308	Left Beater Mount	
17	1	45309	Right Beater Mount	
18	4	BEA UCF209-28R3	Flange Bearing, Triple Seal, Ductile Iron	
19	6	CB3/8-16X1CZ5	Carriage Bolt - 3/8-16 x 1" Grade 5 Zinc	
20	24	CB5/8-11X1.5CZ5	Carriage Bolt - 5/8-11 x 1 1/2" Grade 5 Zinc	
21	22	HB1/2-13X1.5Z5	Hex Bolt 1/2-13x1 1/2 Gr.5 Zinc Plated Hex Cap Screw	
22	8	HB1/2-13X1.75Z5	Hex Bolt 1/2-13x1 3/4 Gr.5 Zinc Plated Hex Cap Screw	
23	12	HB5/8-11X1.75Z5	Hex Bolt 5/8-11x1 3/4 Gr.5 Zinc Plated Hex Cap Screw	
24	28	LN1/2-13NCZ5	LN 1/2-13 Zinc Plated Nylon Insert Lock Nut	
25	6	LN3/8-16NCZ5	LN 3/8-16 Zinc Plated Nylon Insert Lock Nut	
26	36	LN5/8-11NCZ5	LN 5/8-11 Zinc Plated Nylon Insert Lock Nut	
27	1	37849	Nitro Grease Line Mount	
28	2	TL5X2-100-143	.625 Grommet	
29	1	CB1/4-20X0.75CZ5	Carriage Bolt - 1/4-20 x 3/4" Grade 5 Zinc	
30	1	LN1/4-20NCZ5	LN 1/4-20 Zinc Plated Nylon Insert Lock Nut	
31	1	36623	HH67 - 2R7(2MPX,2GKCY) HCL 67"	
32	1	36624	HH99 - 2R7(2MPX,2GKCY) HCL 99"	
33	2	GR 1/4 X 28	Grease Fitting 1/4-28 Straight Standard Zerk	
34	2	HNJ3/8-16	Hex Nut - 3/8-16 Zinc Plated Hex Jam Nut	

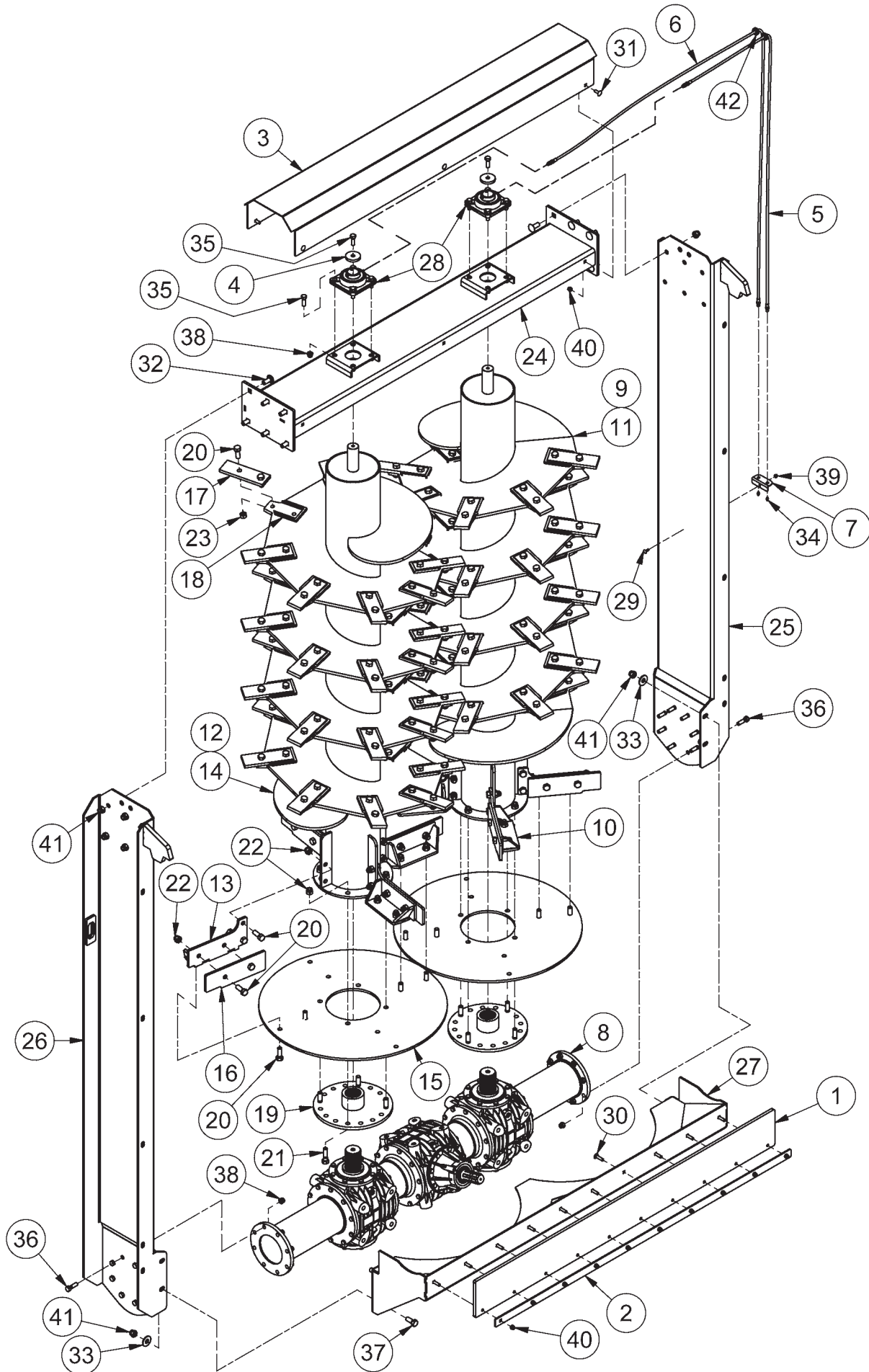
Beater Gearbox - 1 3/4" 6-Spline - Up to SN 24NRS401



Beater Gearbox - 1 3/4" 6-Spline - Up to SN 24NRS401

ITEM	QTY	PART NUMBER	DESCRIPTION	NOTE
1	1	35803	Large Rear Drive Assembly	All Items
2	1	700-920	Bottom Cross Beam	
3	1	30846	Beater Gearbox	See Pg.5-4
4	1	700-646	Center Gearbox Mount	
5	16	M16X45X2	Metric Bolt	
6	16	FW16MM	Metric Flat Washer	
7	4	LN16-2CZ5	Locknut - M16-2 Zinc Plated Nylon Insert Lock Nut	
8	12	LWM16	Lockwasher - M16	

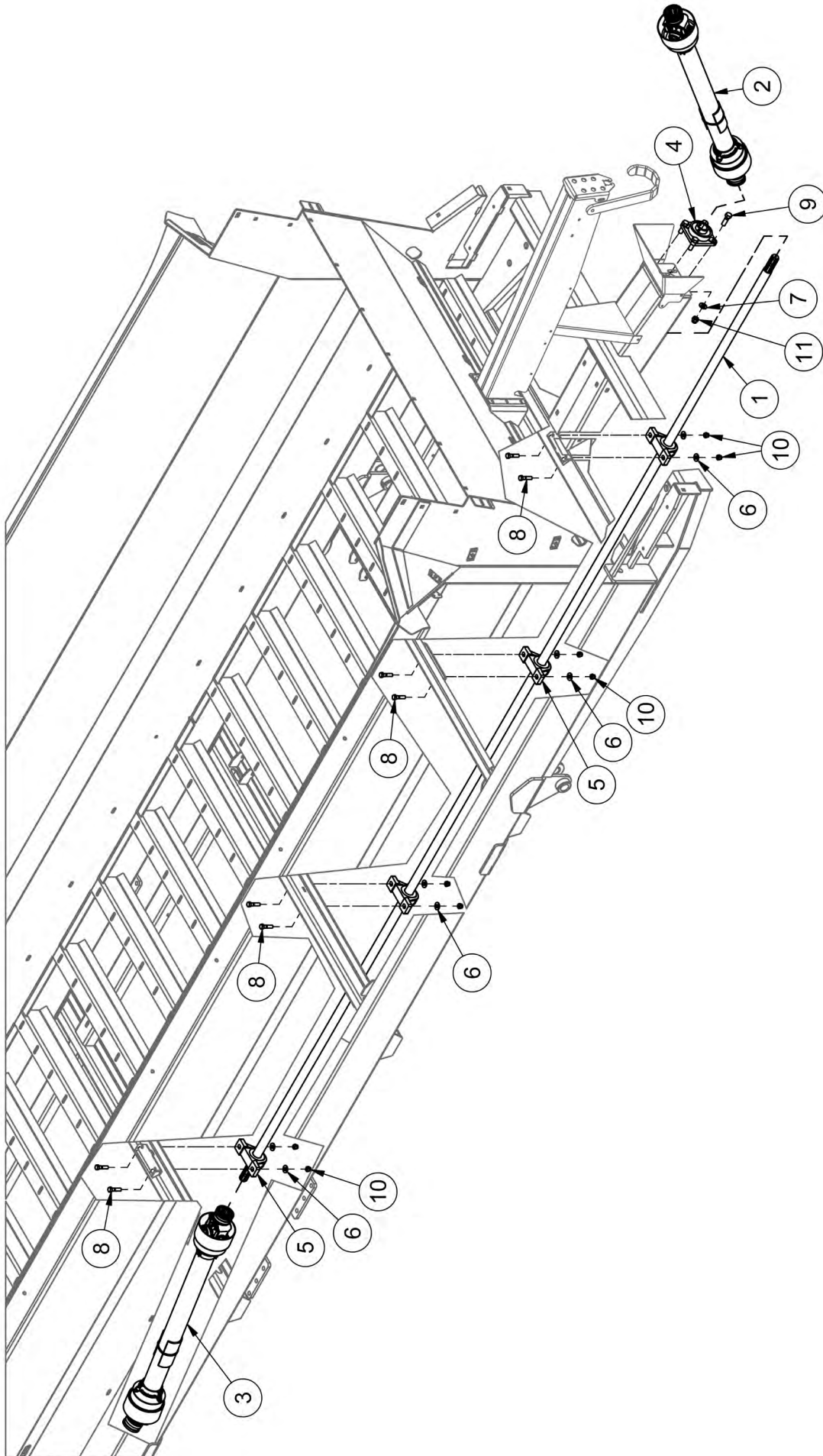
49849 - Beaters - SN 24NRS402 to Current



49849 - Beaters - SN 24NRS40 to Current

ITEM	QTY	PART NUMBER	DESCRIPTION	NOTE
1	1	700-101	Rubber Endgate Seal	
2	1	700-103	Rubber Hold Down	
3	1	700-105	Top Beater Cover	
4	2	700-157	Load Bearing Washer	
5	1	36623	Hose - HH67 - 2R7(2MPX,2GKCY) HCL 67"	
6	1	36624	Hose - HH99 - 2R7(2MPX,2GKCY) HCL 99"	
7	1	37849	Grease Line Mount	
8	1	49604	BG240 Gearbox	Pg.6-7
9	1	49850	725RS Left Beater	Inc. Items 10,11,15-23
10	4	46930	375RS Left Paddle	
11	1	49853	725RS Left Beater	
12	1	49851	725RS Right Beater	Inc. Items 13-23
13	4	46928	375RS Right Paddle	
14	1	49854	725RS Right Beater	
15	1	46924	375RS Spinner Disc	Qty=1 Beater
16	4	49882	725RS Spinner Paddle	Qty=1 Beater
17	32	400-438	Beater Paddle	Qty=1 Beater
18	32	47476	Paddle Retainer	Qty=1 Beater
19	1	50244	725RS Spline Hub	Qty=1 Beater
20	88	HB5/8-11X1.75Z5	Hex Bolt 5/8-11x1 3/4 Gr 5 Zinc Plated Hex Cap Screw	Qty=1 Beater
21	4	HB5/8-11X2.25Z5	Hex Bolt 5/8-11x2 1/4 Gr 5 Zinc Plated Hex Cap Screw	Qty=1 Beater
22	28	LN5/8-11NCZ5	LN 5/8-11 Zinc Plated Nylon Insert Lock Nut	Qty=1 Beater
23	64	LN5/8-11TCZ5	LN5/8-11 Gr.C Zinc Top Lock Nut	Qty=1 Beater
24	1	49855	725RS Beater Upper Cross Beam	
25	1	49857	725RS Left Beater Side Frame	
26	1	49858	725RS Right Beater Side Frame	
27	1	49880	Spinner Pan	
28	2	BEA UCF209-28R3	Flange Bearing, Triple Seal, Ductile Iron	
29	1	CB1/4-20X0.75CZ5	Carriage Bolt - 1/4-20 x 3/4" Grade 5 Zinc	
30	10	CB3/8-16X1.5CZ5	Carriage Bolt - 3/8-16 x 1 1/2" Grade 5 Zinc	
31	6	CB3/8-16X1CZ5	Carriage Bolt - 3/8-16 x 1" Grade 5 Zinc	
32	12	CB5/8-11X1.5CZ5	Carriage Bolt - 5/8-11 x 1 1/2" Grade 5 Zinc	
33	4	FW 5/8	Flatwasher - 5/8" Zinc Plated USS	
34	2	GR 1/4 X 28	Grease Fitting 1/4-28 Straight Standard Zerk	
35	10	HB1/2-13X1.5Z5	Hex Bolt 1/2-13x1 1/2 Gr 5 Zinc Plated Hex Cap Screw	
36	16	HB1/2-13X1.75Z5	Hex Bolt 1/2-13x1 3/4 Gr 5 Zinc Plated Hex Cap Screw	
37	4	HB5/8-11X1.5Z5	Hex Bolt 5/8-11x1 1/2 Gr 5 Zinc Plated Hex Cap Screw	
38	24	LN1/2-13NCZ5	LN 1/2-13 Zinc Plated Nylon Insert Lock Nut	
39	1	LN1/4-20NCZ5	LN 1/4-20 Zinc Plated Nylon Insert Lock Nut	
40	16	LN3/8-16NCZ5	LN 3/8-16 Zinc Plated Nylon Insert Lock Nut	
41	16	LN5/8-11NCZ5	LN 5/8-11 Zinc Plated Nylon Insert Lock Nut	
42	2	TL5X2-100-143	5/8" Grommet	

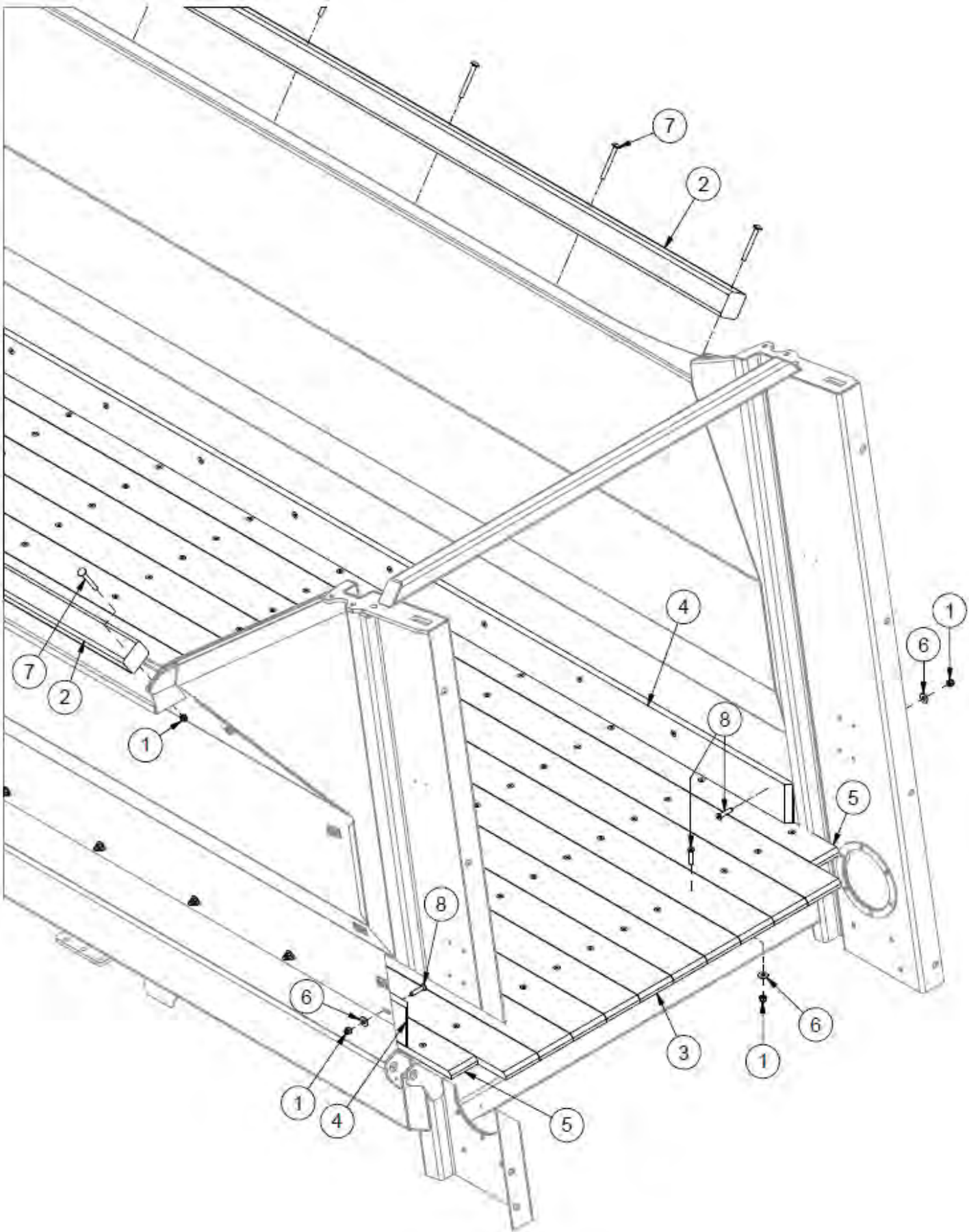
Driveline



Driveline

ITEM	QTY	PART NUMBER	DESCRIPTION
1	1	45944	725 CV Splined Shaft
2	2	39850	PTO. 375,450,525,600,750 (V80-141P028359-028028-CV80-CLS)
3	1	39852	PTO. 600, 750,275 (T60-086P265011-306028-CLS(2500NM))
4	1	BEA UCF208-24R3	Flange Bearing 4-Bolt, Triple Seal, Ductile Iron
5	4	BEA UCP208-24R3	Pillow Block Bearing, Triple Seal, Ductile Iron
6	8	FW 1/2	Flatwasher - 1/2" Zinc Plated USS
7	8	FW 5/8	Flatwasher - 5/8" Zinc Plated USS
8	8	HB1/2-13X2Z5	Hex Bolt 1/2-13x2 Grade 5 Zinc Plated Hex Cap Screw
9	4	HB5/8-11X2Z5	Hex Bolt 5/8-11x2 Grade 5 Zinc Plated Hex Cap Screw
10	8	LN1/2-13NCZ5	LN 1/2-13 Zinc Plated Nylon Insert Lock Nut
11	4	LN5/8-11NCZ5	LN 5/8-11 Zinc Plated Nylon Insert Lock Nut

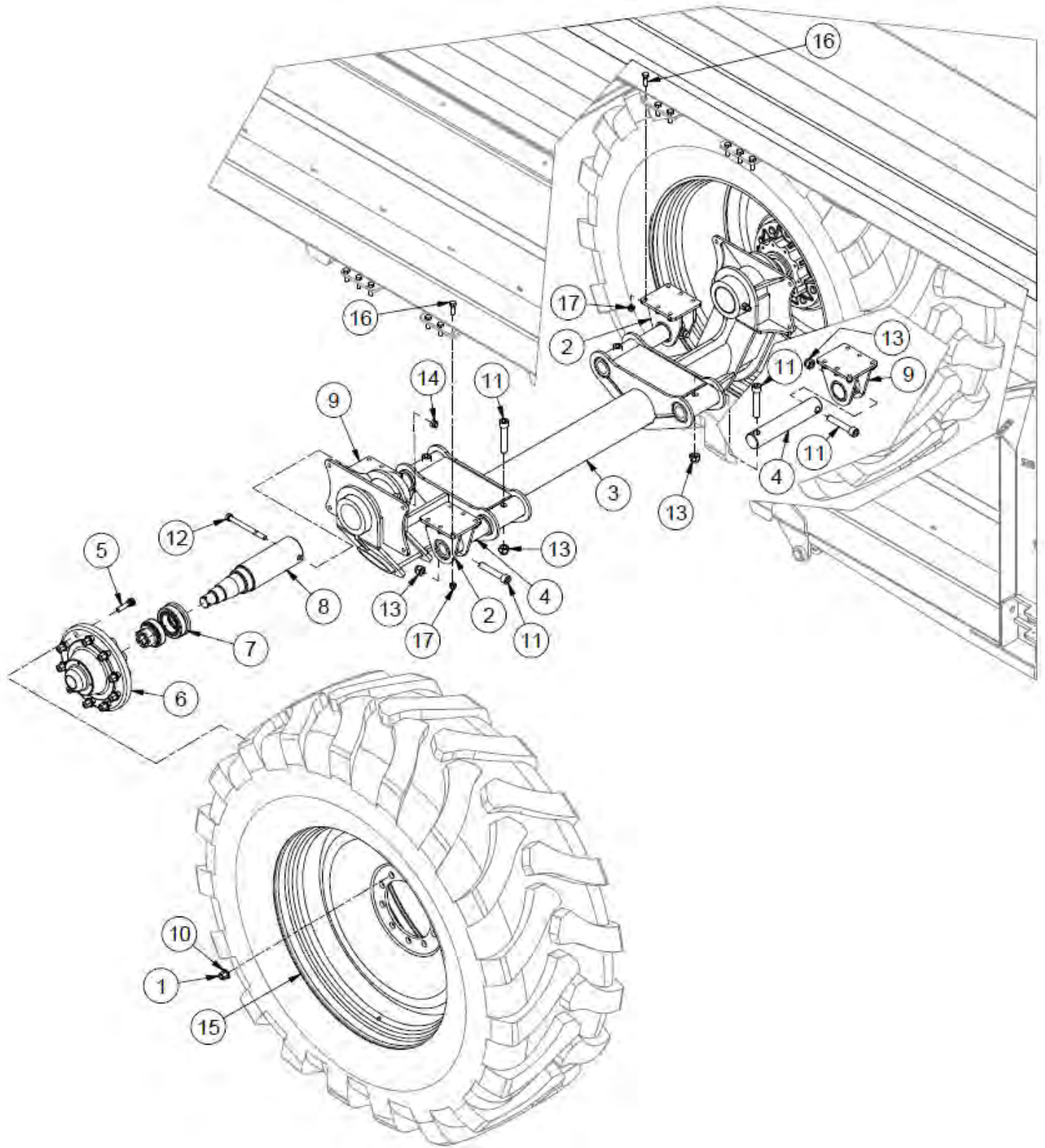
Boards



Boards

ITEM	QTY	PART NUMBER	DESCRIPTION
1	210	LN 1/2 N	LN 1/2-13 Zinc Plated Nylon Insert Lock Nut
2	2	45223	Pressure Treated 4X4X168
3	10	45970	Floor Boards - 1.0 X 237" - V725 Dove Gray
4	2	45266	Side Board
5	2	45267	Short Floor Board
6	194	FW 1/2	Flatwasher - 1/2" Zinc Plated USS
7	16	CB 1/2-13 X4.5 Z5	Carriage Bolt - 1/2-13 x 4 1/2" Grade 5 Zinc
8	194	HB 1/2-13X2.25 FHSCS	Hex Bolt - 1/2"-13 x 2 1/4" Flat Socket Cap Screw

Single Axle



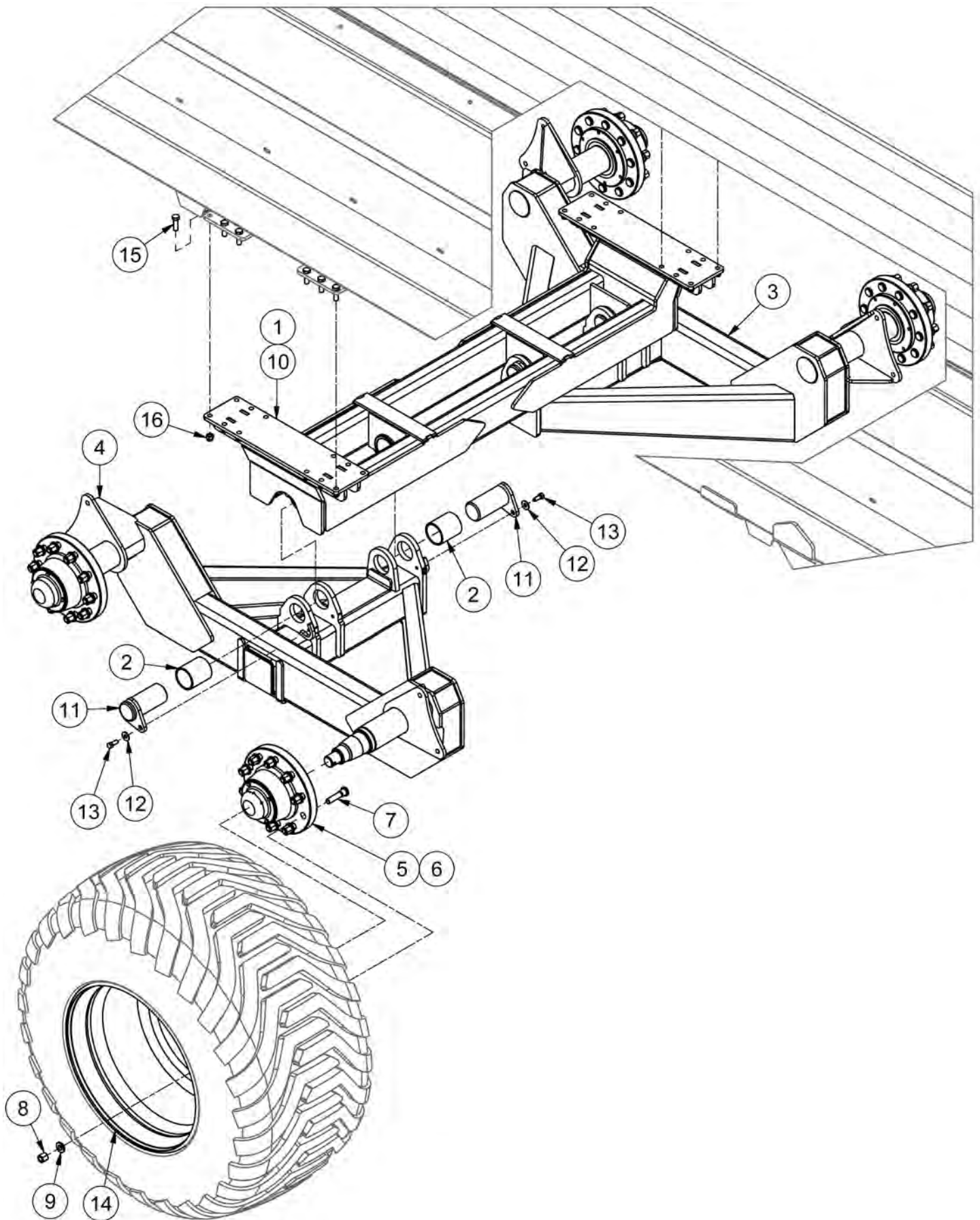
Single Axle

ITEM	QTY	PART NUMBER	DESCRIPTION
1	20	31530	F750/35 Wheel Nut
2	2	35237	750 Right Frame Mount
3	1	35810	750 Single Axle
4	4	36037	Axle Mount Pin
5	20	31529	F750/35 Wheel Stud
6	2	HUB 20000	Spreader HUB20000
7	2	HUB 20000-CCS	Complete Bearing and Seals for HUB20000
8	2	SP 5.0 X 22	20000lb Hub Spindle
9	2	39303	750 Left Frame Mount
10	20	39600	W750 Washer
11	8	HB 1-8X5.5 SHCS	Hex Bolt - 1-8 x 5 1/2 Socket Head Cap Screw
12	2	HB 3/4-10X8.5 Z5	Hex Bolt 3/4-10x8 1/2 Grade 5 Zinc Plated Hex Cap Screw
13	8	LN 1 N	LN 1-8 Zinc Plated Nylon Insert Lock Nut
14	2	LN 3/4 N	LN 3/4-10 Zinc Plated Nylon Insert Lock Nut
15	2	WHE 2342	Rim - 23 X 42 with 10 Bolt Center 13.6mm (+ offset)
16	24	HB 5/8-11X2 Z5	Hex Bolt 5/8-11x2 Grade 5 Zinc Plated Hex Cap Screw
17	24	LN 5/8 N	LN 5/8-11 Zinc Plated Nylon Insert Lock Nut

NITRO 725RS TIRE CHART		
AXLE TYPE	PART NUMBER	TIRE SIZE
Single	WHE 710X70X42	710/70-42
Tandem	WHE 700X50X26.5	700/50-26.5

NOTE: Refer to Nitro Operator's Manual for wheel load capacity charts.

Tandem Axle - Non Scale Ready



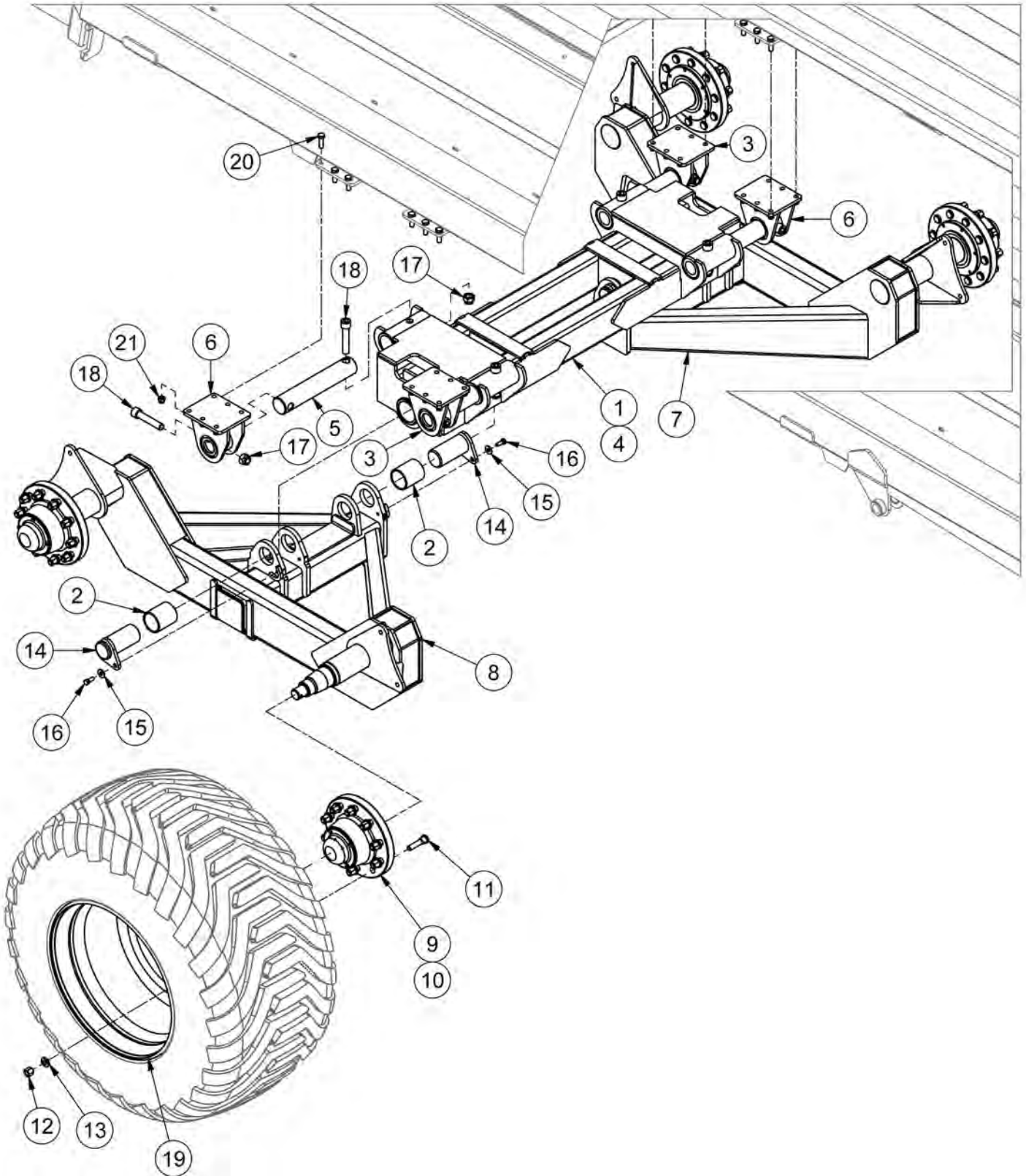
Tandem Axle - Non Scale Ready

ITEM	QTY	PART NUMBER	DESCRIPTION	NOTE
1	1	46069	725 Tandem Axle	All Items
2	4	31621	Polygon 3.5 OD X 3.0 ID X 4.0 LG	
3	1	46060	Left 725 Walking Beam	Incl. 2 Item 5
4	1	46061	Right 725 Walking Beam	Incl. 2 Item 5
5	4	HUB 16000	Hub c/w Parts (16000)	Items 6-9
6	1	HUB 16000-CCS	Complete Bearing and Seals - HUB16000	Qty=1 Hub
7	10	31529	F750/35 Wheel Stud	Qty=1 Hub
8	10	31530	F750/35 Wheel Nut	Qty=1 Hub
9	10	39600	W750 Washer	Qty=1 Hub
10	1	46066	Tandem Axle Non Scale	
11	4	46070	725 Walking Beam Pin	
12	4	FW 1/2	Flatwasher - 1/2" Zinc Plated USS	
13	4	HB1/2-13X1.25Z5	Hex Bolt 1/2-13x1 1/4 Grade 5 Zinc Plated Hex Cap Screw	
14	1	WHE 2426.5	Rim - 24 X 26.5 w/ 10 Bolt Center 46mm Negative Offset	
15	24	HB5/8-18X2YZ8	Hex Bolt 5/8-18x2 Grade 8 Zinc Hex Cap Screw	
16	24	LN5/8-18NFZ8	5/8-18 Gr.8 Zinc Nylon Lock Nut	

NITRO 725RS TIRE CHART		
AXLE TYPE	PART NUMBER	TIRE SIZE
Single	WHE 710X70X42	710/70-42
Tandem	WHE 700X50X26.5	700/50-26.5

NOTE: Refer to Nitro Operator's Manual for wheel load capacity charts.

Tandem Axle - Scale Ready



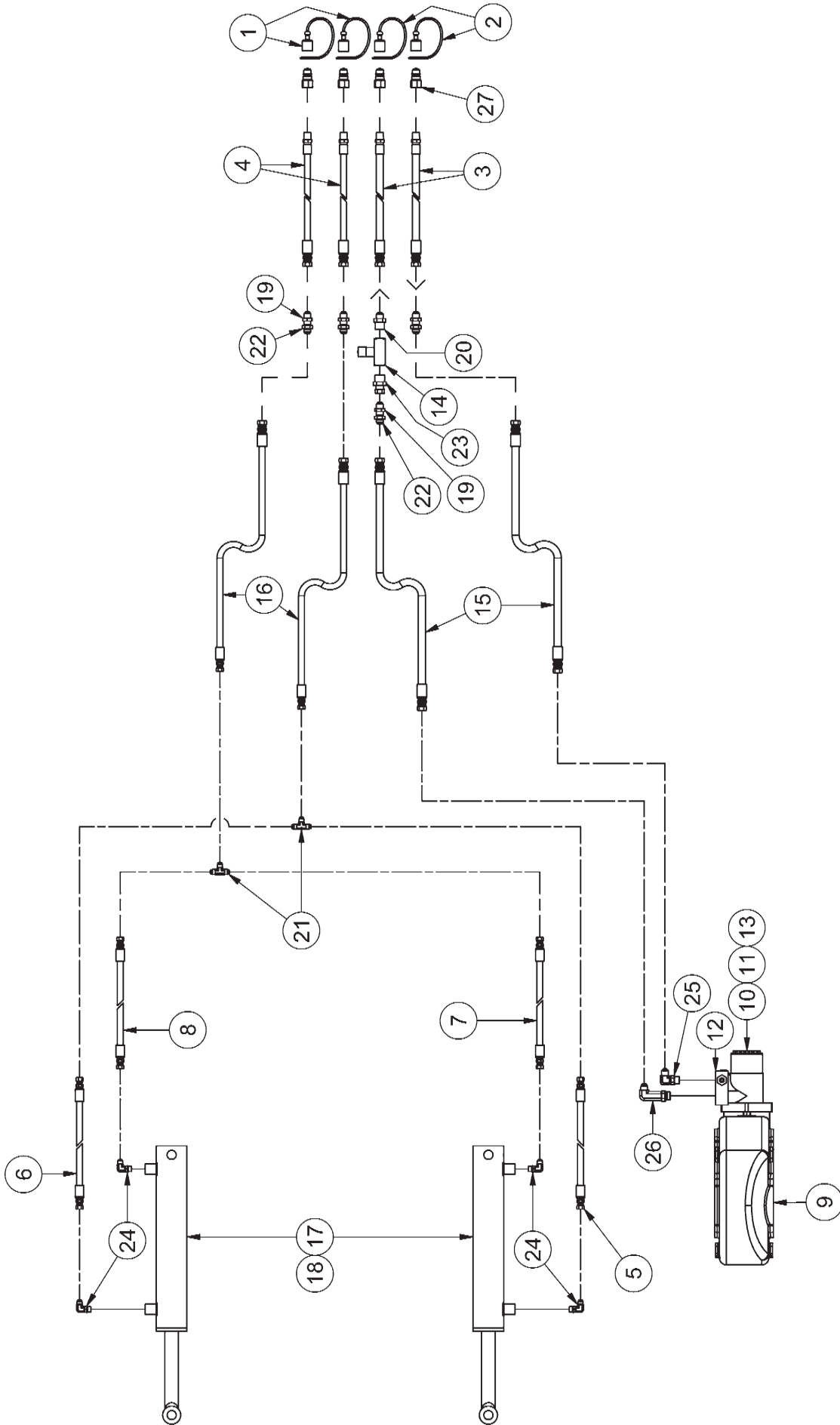
Tandem Axle - Scale Ready

ITEM	QTY	PART NUMBER	DESCRIPTION	NOTE
1	1	46062	725 Tandem Axle Scale Assembly	All Items
2	4	31621	Polygon 3.5 OD X 3.0 ID X 4.0 LG	
3	2	35237	750 Right Frame Mount	
4	1	35239	Tandem Axle	
5	4	36037	Axle Mount Pin	
6	2	39303	750 Left Frame Mount	
7	1	46060	Left 725 Walking Beam	Incl. 2 Item 9
8	1	46061	Right 725 Walking Beam	Incl. 2 Item 9
9	4	HUB 16000	Hub c/w Parts (16000lbs)	Items 10-13
10	1	HUB 16000-CCS	Complete Bearing and Seals - HUB16000	Qty=1 Hub
11	10	31529	F750/35 Wheel Stud	Qty=1 Hub
12	10	31530	F750/35 Wheel Nut	Qty=1 Hub
13	10	39600	W750 Washer	Qty=1 Hub
14	4	46070	725 Walking Beam Pin	
15	4	FW 1/2	Flatwasher - 1/2" Zinc Plated USS	
16	4	HB1/2-13X1.25Z5	Hex Bolt 1/2-13x1 1/4 Grade 5 Zinc Plated Hex Cap Screw	
17	8	LN1-8NCZ5	LN 1-8 Zinc Plated Nylon Insert Lock Nut	
18	8	SHCS1-8X5	Hex Bolt - 1-8 x 5 Socket Head Cap Screw	
19	1	WHE 2426.5	Rim - 24 X 26.5 w/ 10 Bolt Center 46mm Negative Offset	
20	24	HB5/8-18X2YZ8	Hex Bolt 5/8-18x2 Grade 8 Zinc Hex Cap Screw	
21	24	LN5/8-18NFZ8	5/8-18 Gr.8 Zinc Nylon Lock Nut	

NITRO 725RS TIRE CHART		
AXLE TYPE	PART NUMBER	TIRE SIZE
Single	WHE 710X70X42	710/70-42
Tandem	WHE 700X50X26.5	700/50-26.5

NOTE: Refer to Nitro Operator's Manual for wheel load capacity charts.

Hydraulic Schematic



Hydraulic Schematic

ITEM	QTY	PART NUMBER	DESCRIPTION	NOTE
1	2	22946-2	Dust Cap, 1/2", Female, Yellow Colour	
2	2	22946-4	Dust Cap, 1/2", Female, Red Colour	
3	2	49986	Hose - HH83- 8AT1(8FJXH-8MP) HCL83"	
4	2	49987	Hose - HH87- 6AT1(8FJXH-8MP) HCL 87"	
5	1	30665	Hose - HH157- 6AT1(6FJXH-6FJXH) HCL 157"	
6	1	30666	Hose - HH85- 6AT1(6FJXH-6FJXH) HCL 85"	
7	1	30667	Hose - HH101- 6AT1(6FJXH-6FJXH) HCL101"	
8	1	30668	Hose - HH29- 6AT1(6FJXH-6FJXH) HCL29"	
9	1	30843	Gear Box- Berma- V750 Spreaders (RT650)	
10	1	30854	Hydraulic Motor - Spreaders	Standard
11	1	40718	Hydraulic Motor - Speed Sensor	Scale Option Only
12	1	30856	Hydraulic Cross Port Relief for Motor - Spreaders	
13	1	SK-SMRS-SK	Gearbox Motor Seal Kit	
14	1	30857	Flow Control Valve - 3/4"	
15	2	45099	Hose - HH364- 8AT1(8FJXH-8FJXH) HCL 364"	
16	2	45399	Hose - HH370- 6AT1(8FJXH-6FJXH) HCL 370"	
17	2	CYL31733	Cylinder 2.0x69.5x1.5 Nitro 750	
18	2	SKFH20-15	Seal Kit for 2" Cylinder Bore (Frankor) w/ 1.5" Rod	
19	4	HF 306-8	Hyd Fitting 1/2 Adjustable Locknut	
20	1	HF 2404-8-12	Hydraulic Fitting - Union	
21	2	HF 2603-6-6-6	Male JIC Tee	
22	4	HF 2700LN-08-08	Hydraulic Fitting - MJIC to MJIC	
23	1	HF 6505-12-8	Male Pipe To Female JIC Swivel	
24	4	HF 6801-6-6	Hydraulic Fitting - 90 Degree JIC to O-Ring	
25	1	HF 6801-8-10	Hyd. Fitting - 1/2" JIC - 5/8" 90° Elbow	
26	1	HF 6801-8-10-LL	Hyd. Fitting - 1/2" JIC - 5/8" 90 Degree Elbow	
27	4	HF 8010-4	Quickcoupler 1/2" Male Tip	
28	2	SKFH20-15	Seal Kit - 2" Cylinder Bore w/ 1.5" Rod	

Intentionally Left Blank

Section 3 - Optional Features

Optional Kit Numbers

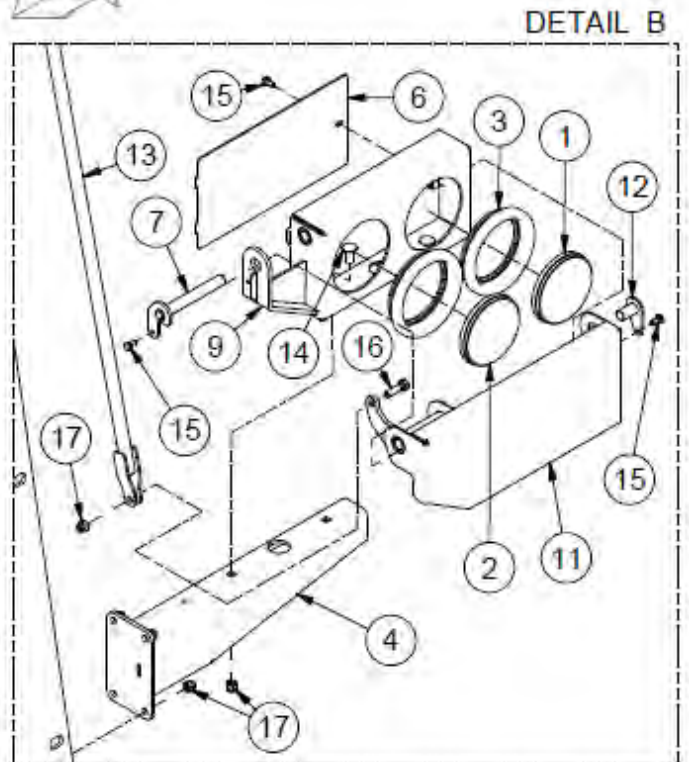
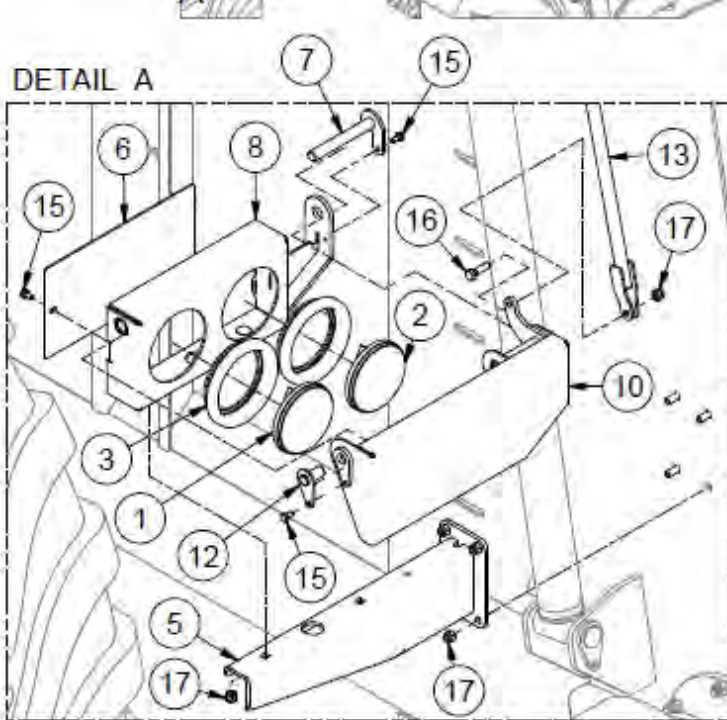
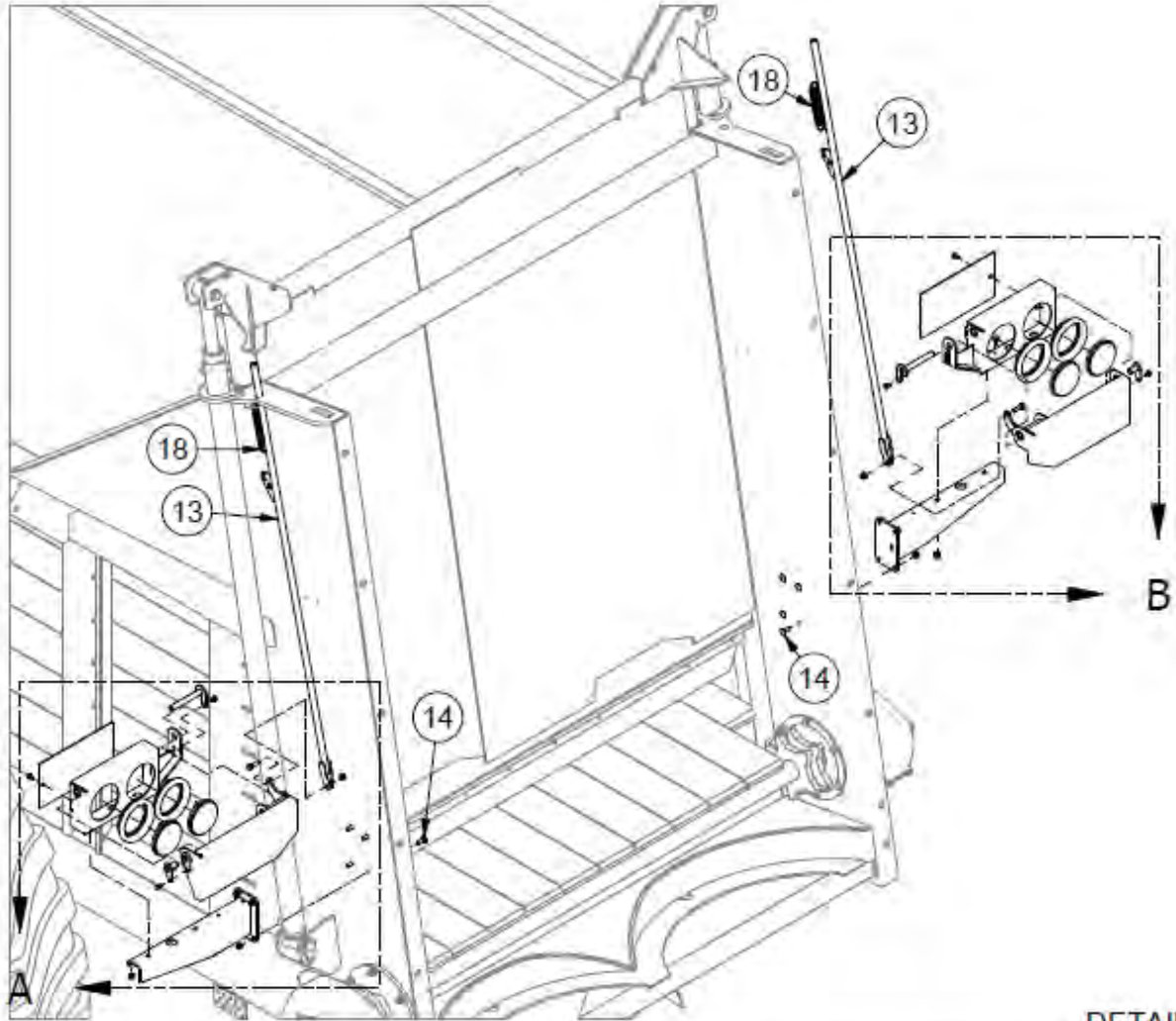
KIT NUMBER	DESCRIPTION	PAGE(S)
	Hitches	Pg.3-2,3
43673	Mechanical Light Kit	Pg.3-4,5
	Wiring Harness	Pg.3-6,7
N750LC	5 Point Scale System	Pg.3-8
N750LCNT460	5 Point Scale System with GPS	Pg.3-8
N750LCNT8000	Automatic Scale Rate Control Base System	Pg.3-9
	Flow Control Mounting	Pg.3-10
31578	Manual Flow Control	
	Flow Control Hydraulic Layout - Manual	Pg.3-11
31797	Electric Flow Control	
	Flow Control Hydraulic Layout - Electric	Pg.3-12,13
	Electric Flow Control Wiring	Pg.3-14,15
41503	Flange Paddle Kit	Pg.16,17
45414	Endgate Indicator Kit	Pg.18,19
TLVSSE725	Silage Sides	Pg.20,21

Hitch Options

ITEM	QTY	PART NUMBER	DESCRIPTION	WHERE USED	NOTE
1	1	40471	Clevis Hitch Weldment	Up to N575RS	Standard - Replaces 30826
2		39290	Power Pin Cat 3 Ball Hitch Assembly 2" Pin	All Models	Option
2.1	1	39291	Power Pin 2" Ball Cat.3 Hitch		
2.2	1	44994	Power Pin Cat.3 Ball Hitch Base		
3		40865	Power Pin Cat 3 Ball Hitch Assembly 1.5" Pin	All Models	Option
3.1	1	44994	Power Pin Cat.3 Ball Hitch Base		
3.2	1	39994	Power Pin 1.5" Ball Cat.3 Hitch		
4		41956	Rollover Ball Hitch 2.0" ID Cat.4	All Models	Requires Scale Option
4.1	1	39291	Power Pin 2" Ball Hitch		Category 3 & 4
4.2	1	45033	Articulating Ball Hitch Base		
5		45034	Rollover Ball Hitch 1.5" ID Cat.4	All Models	Requires Scale Option
5.1	1	45033	Articulating Ball Hitch Base		
5.2	1	39994	Power Pin 1.5" Ball Cat.3 Hitch		
6		32853	Cat.4 Hitch Base	N600 - N1050	Standard - Replaces 43060
7	1	36241	Cell Hitch		Requires Scale Option
8	1	42550	Cell Clevis Hitch	275RS - 575RS	Requires Scale Option
9		SHCS1-8X5.5	Hex Bolt - 1-8 x 5 1/2 Socket Head Cap Screw		
10		HB1-14X6.5YZ8	Hex Bolt 1-14x6 1/2 Grade 8 Zinc Hex Cap Screw		
11		LN1-8NCZ5	LN 1-8 Zinc Plated Nylon Insert Lock Nut		
12		LN1-14NFZ5	Center Locknuts (1-14) 2-Way Fine Thread		
13	1	45826	Hitch Insert Bushing (2.0"-1.25")	Optional	Requires hitch with 2" Ball
14	1	45827	Hitch Insert Bushing (2.0"-1.5")	Optional	Requires hitch with 2" Ball

Mechanical Light Kit - 43673

Used from serial no. 19NRS301 to current.

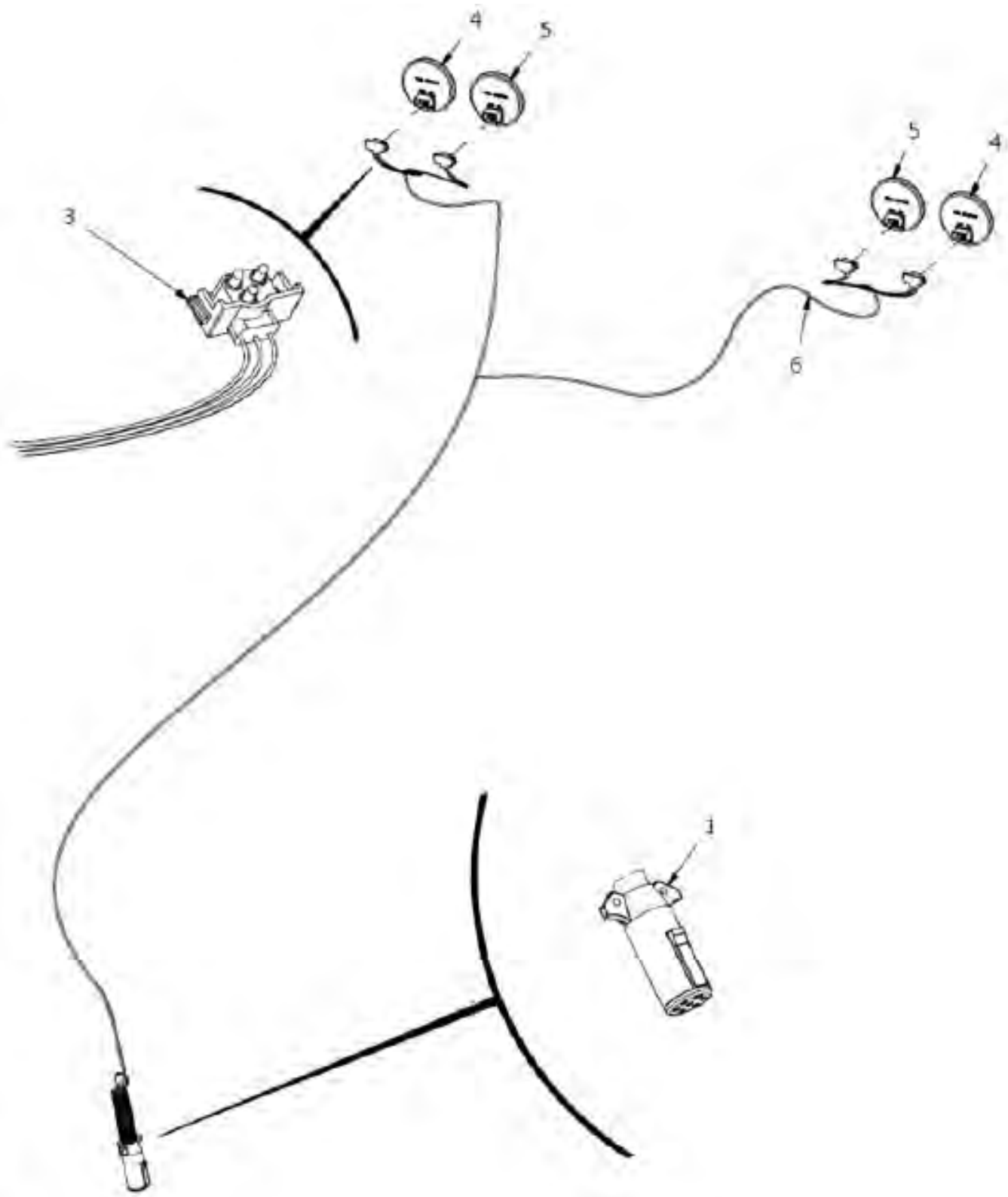


Mechanical Light Kit - 43673

Used from serial no. 19NRS301 to current.

ITEM	QTY	PART NUMBER	DESCRIPTION
1	2	31788	Red LED Light for Nitro Spreader
2	2	31789	Amber LED Light for Nitro Spreader
3	4	31798	Grommet for LED Lights on Nitro
4	1	42139	Right Light Bracket
5	1	42140	Left Light Bracket
6	2	43178	Light Box Cover
7	2	43204	Inner Pin Assembly
8	1	43206	Left Light Box Assembly
9	1	43207	Right Light Box Assembly
10	1	43208	Left Light Cover
11	1	43209	Right Light Cover
12	2	43213	Outer Pin Assembly
13	2	43580	450/525RS Manual Light Push Arm
14	12	CB 3/8-16 X1 Z5	Carriage Bolt - 3/8-16 x 1" Grade 5 Zinc
15	6	HB 1/4-20X0.5 Z5	Hex Bolt 1/4-20x1/2 Grade 5 Zinc Plated Hex Cap Screw
16	2	HB 3/8-16X1.25 Z5	Hex Bolt 3/8-16x1 1/4 Grade 5 Zinc Plated Hex Cap Screw
17	14	LN 3/8 N	LN 3/8-16 Zinc Plated Nylon Insert Lock Nut
18	2	PP00679	Spring 2-TE 86B (AC-08044)

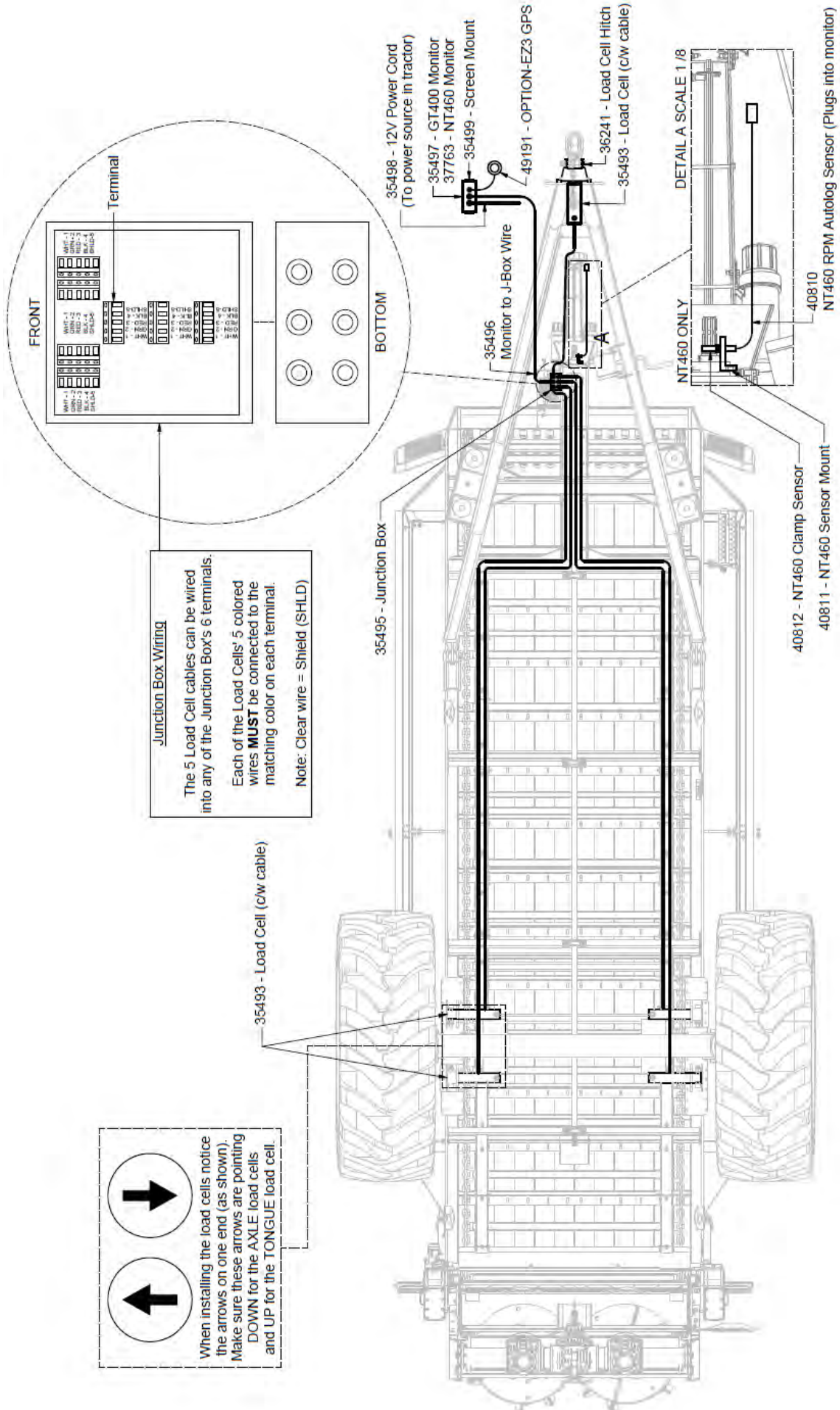
Light Kit Wiring Harness



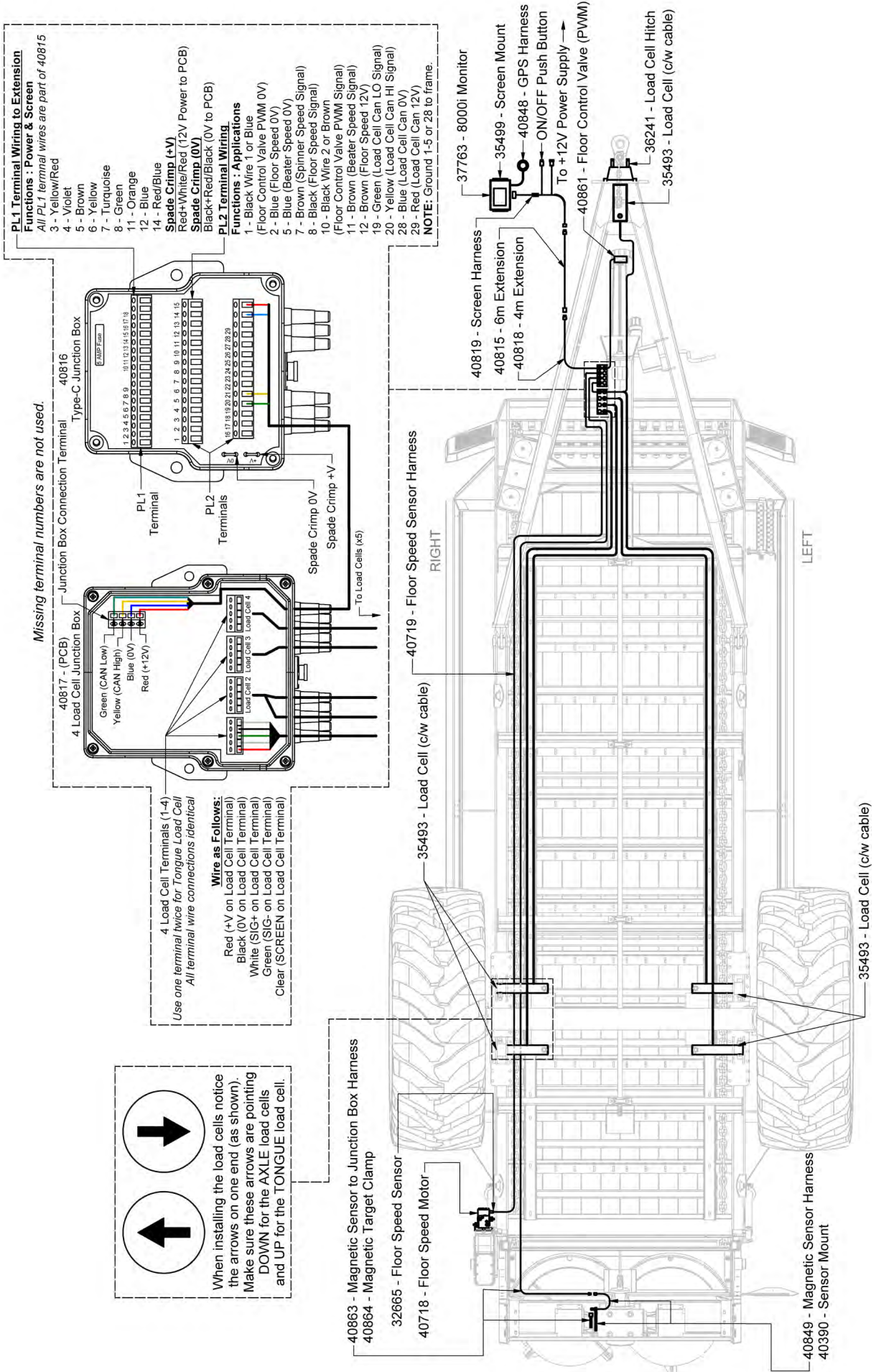
Light Kit Wiring Harness

ITEM	QTY	PART NUMBER	DESCRIPTION
1	1	TL550-200-117	Female 7 Pin Plug
	4	31798	Grommet
3	4	31790	Individual Light Harness
4	2	31788	Red Tail Light
5	2	31789	Amber Tail Light
6	1	45607	Nitro 675RS Light Wiring Harness
	1	45608	TLV675RS Light Kit Wiring and Lights

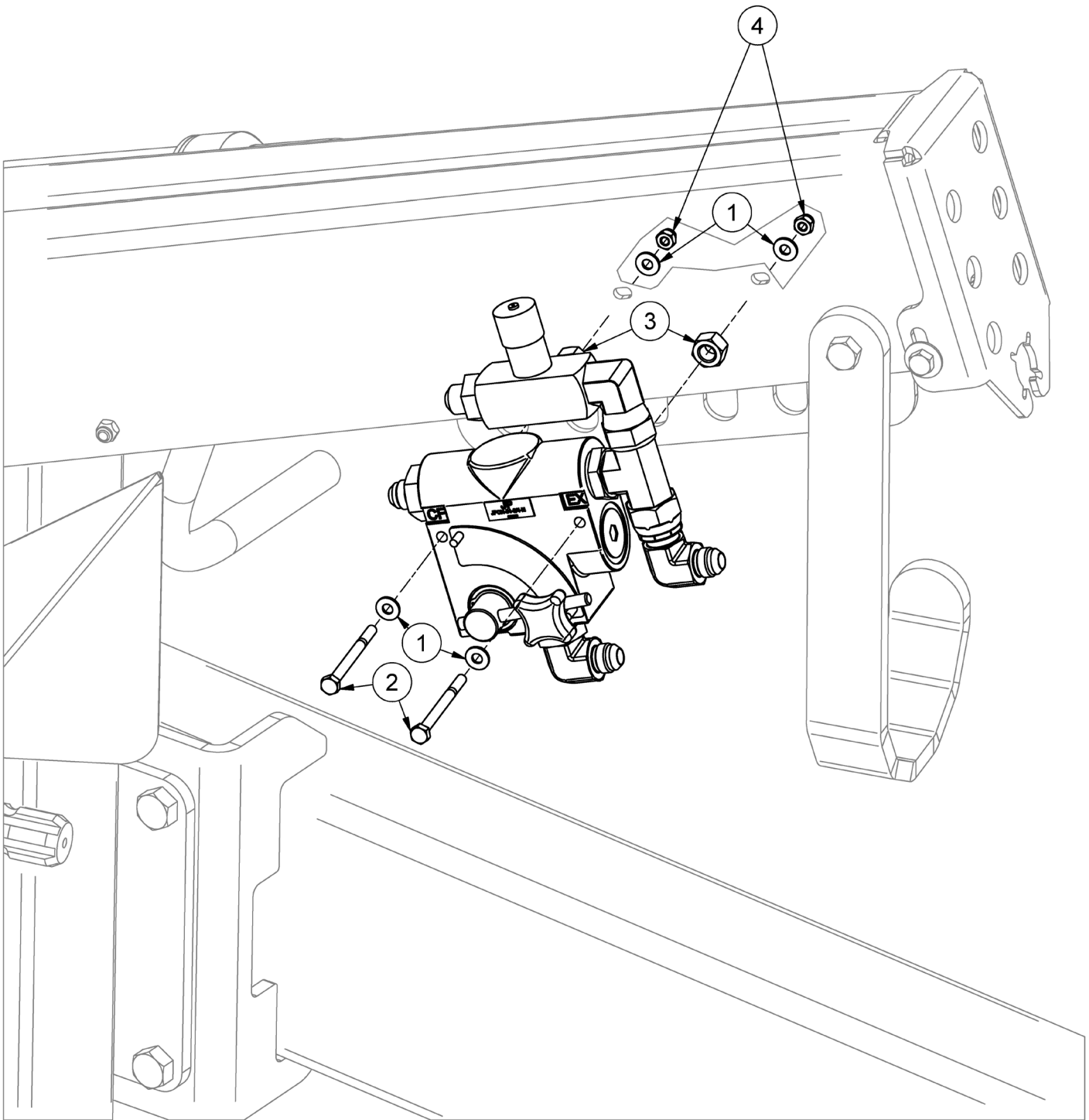
N750LC (GT400) / N750LCNT460 Scales



N750LCNT8000 Scales



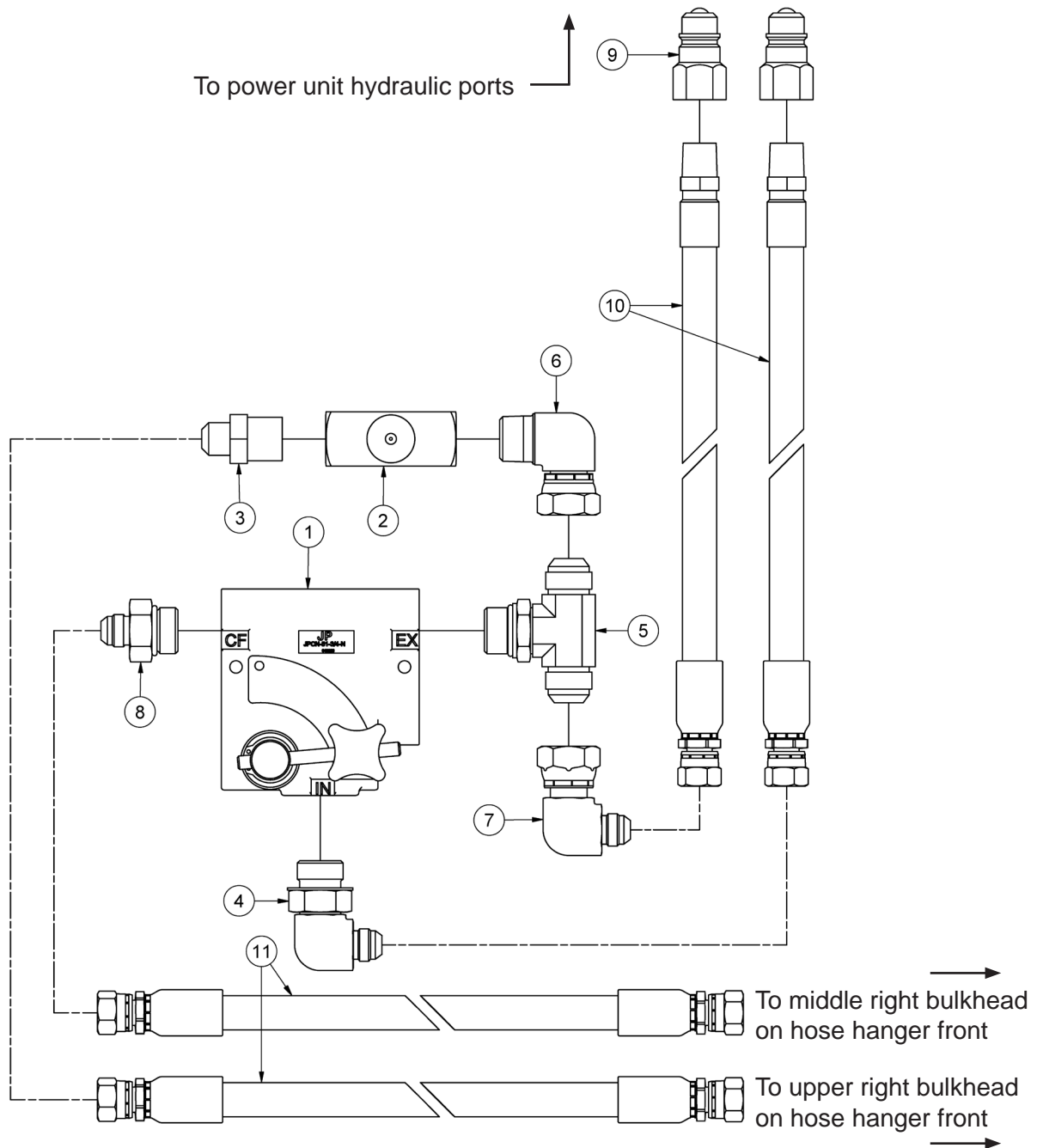
Flow Control Mounting



ITEM	QTY	PART NUMBER	DESCRIPTION
1	4	FW 1/4	Flatwasher - 1/4" Zinc Plated USS
2	2	HB 1/4-20X3 Z5	Hex Bolt 1/4-20x3 Grade 5 Zinc Plated Hex Cap Screw
3	2	HN 1/2	Hex Nut 1/2"-13 Grade 5 Zinc Plated Finished
4	2	LN 1/4 N	LN 1/4-20 Zinc Plated Nylon Insert Lock Nut

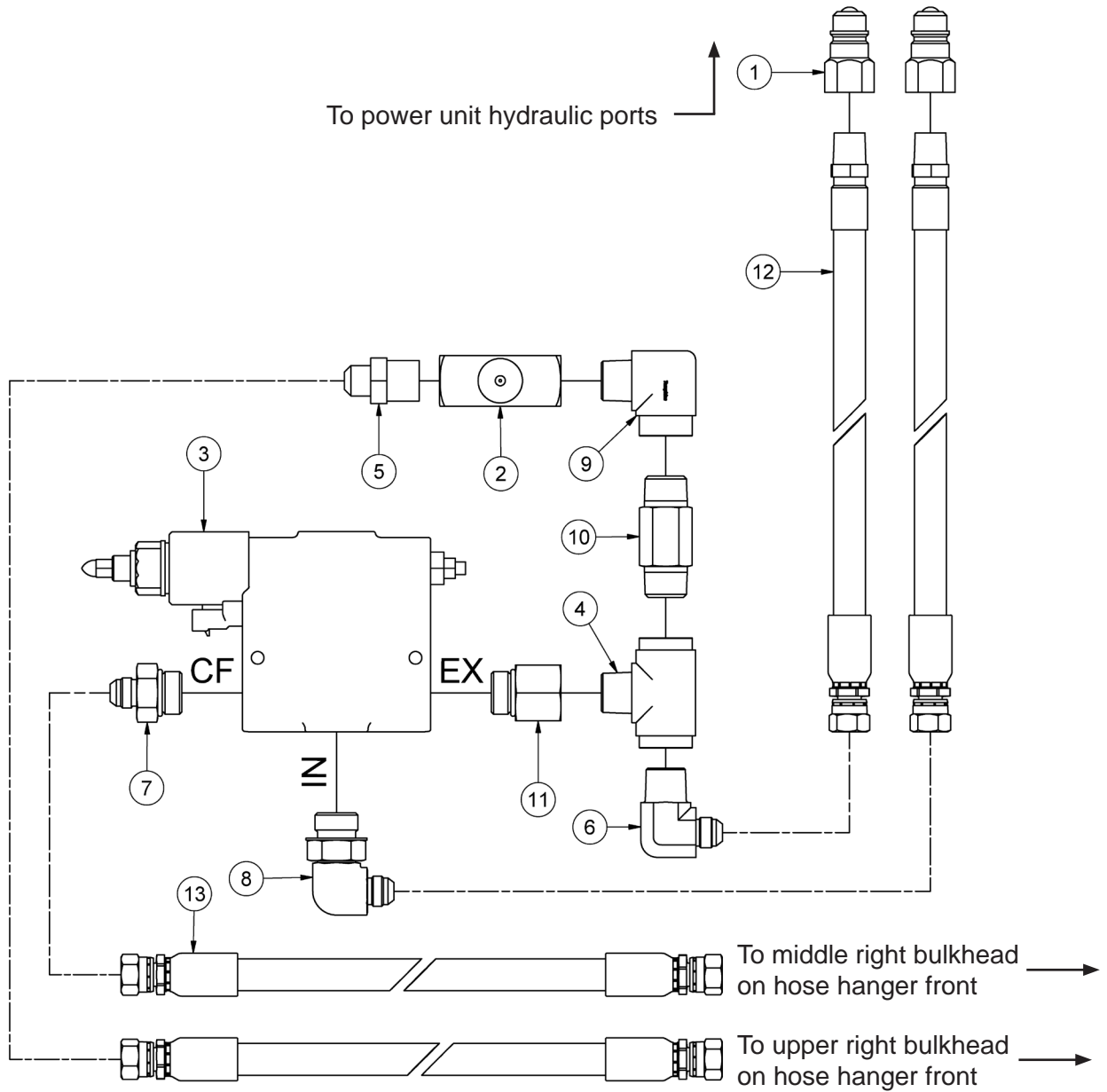
NOTICE: Manual flow control shown. Electric flow control option has same mounting hardware. See hydraulic layouts for flow control breakdowns.

Flow Control Hydraulic Layout - Manual



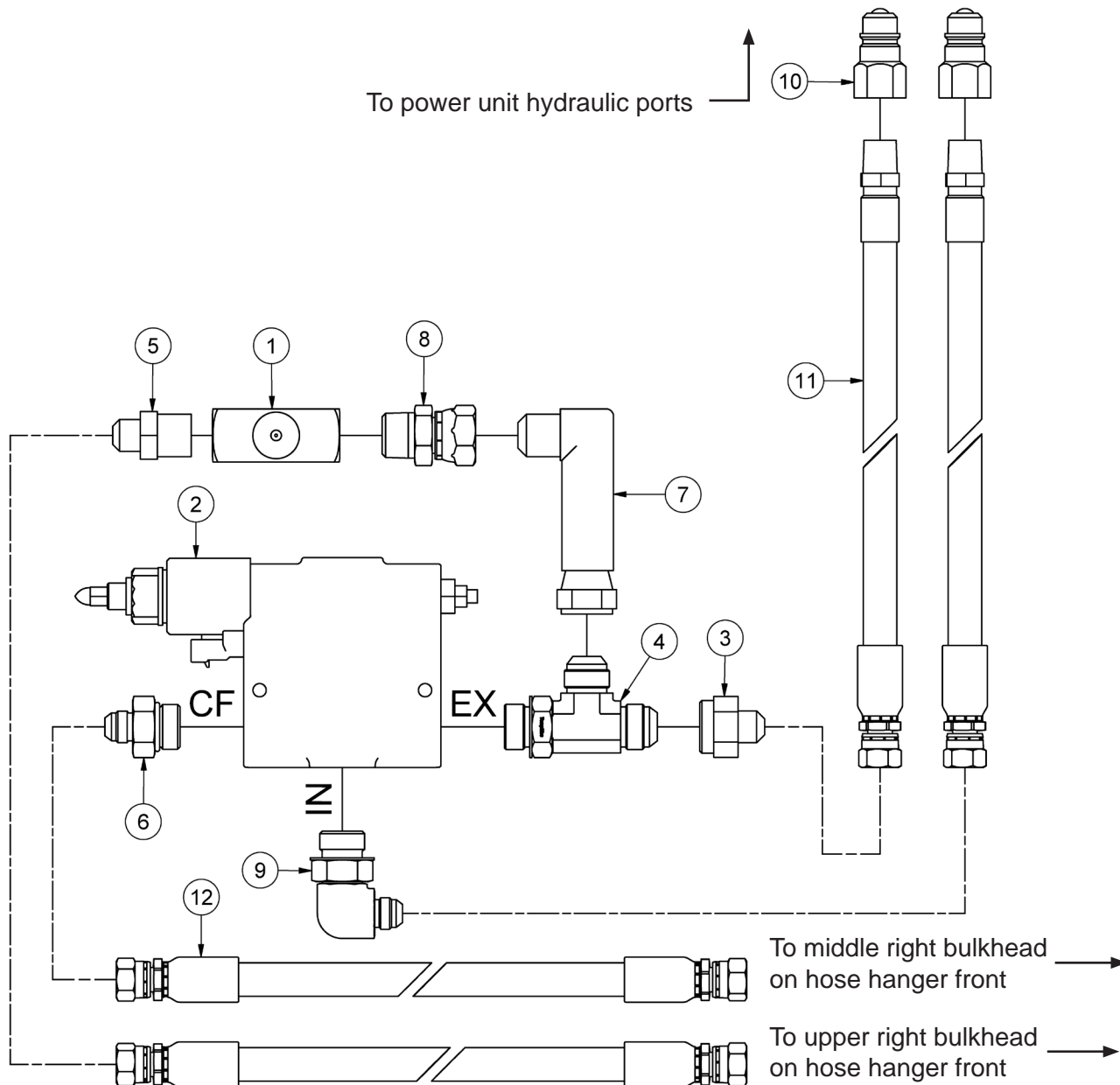
ITEM	QTY	PART NUMBER	DESCRIPTION
1	1	30855	Flow Control - Pressure Compensated 3/4
2	1	30857	Flow Control Valve - 3/4"
3	1	HF 2404-8-12	Hydraulic Fitting - Union
4	1	HF 6801-8-12	Hyd. Fitting - 1/2" JIC - 3/4" 90 Degree Elbow
5	1	HF 6803-12-12-12	Hyd. Fitting Male JIC Male JIC Male ORB Tee
6	1	HF 6501-12-12	Hyd. Fitting 90° 3/4 MNPT - 3/4 FJXH
7	1	HF 6500-8-12	Hyd. Fitting 1/2 Male JIC - 3/4 Female JIC 90°
8	1	HF 6400-8-12	Hyd. Fitting
9	2	HF 8010-4	Quickcoupler 1/2" Male Tip
10	2	30661	HH 1/2 72",8FJX,8MP
11	2	37987	HH 1/2 48",8FJX,8FJX

Flow Control Hydraulic Layout - Electric (Original)



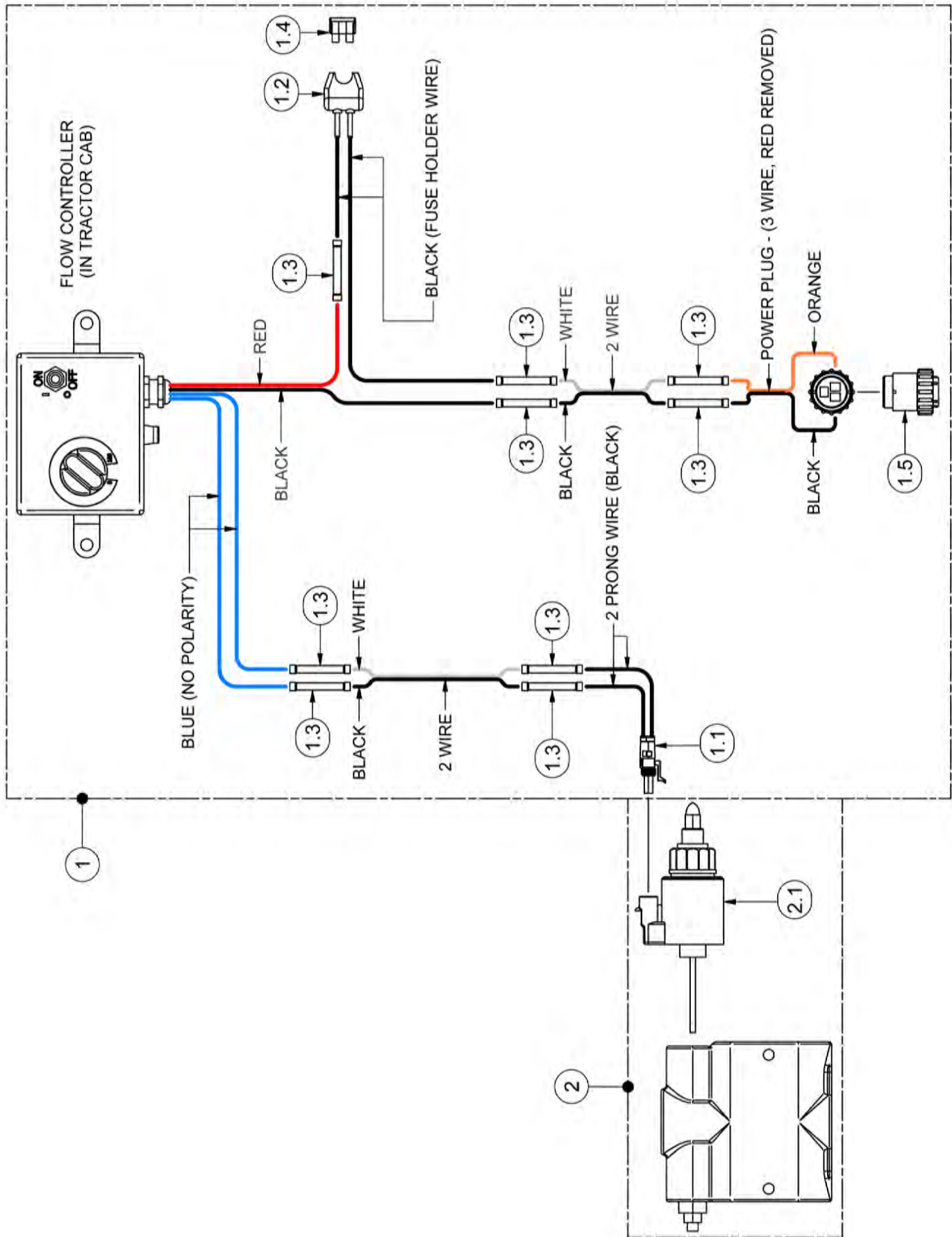
ITEM	QTY	PART NUMBER	DESCRIPTION	NOTE
1	2	HF 8010-4	Quickcoupler 1/2" Male Tip	
2	1	30857	Flow Control Valve - 3/4"	
3	1	37976	Electric Flow Control	Brkdwn Pg.3-22
4	1	HF 5604-12-12	3/4 FNPT X 1/2 MNPT Branch Tee	
5	1	HF 2404-8-12	Hydraulic Fitting - Union	
6	1	HF 2501-8-12	Hydraulic Elbow Fitting - MJIC-MNPT	
7	1	HF 6400-8-12	Hyd. Fitting	
8	1	HF 6801-8-12	Hyd. Fitting - 1/2" JIC - 3/4" 90 Degree Elbow	
9	1	HF 5502-12-12	Hyd. Fitting - 90 Deg. Elbow 12-12	
10	1	HF 5404-L-12-12	Hyd. Fitting 3/4" X 3/4" MNPT Hex Nipple 3" Long	
11	1	HF 6405-12-12	Hydraulic Fitting - Male SAE-ORB to Female NPT	
12	2	30661	1/2" Hydraulic Hose (8FJX,8MP) - 69"	
13	2	37987	1/2" Hydraulic Hose (8FJX,8FJX) - 73"	

Flow Control Hydraulic Layout - Electric (Current)



ITEM	QTY	PART NUMBER	DESCRIPTION	NOTE
1	1	30857	Flow Control Valve - 3/4"	
2	1	37976	Electric Flow Control	Brkdwn Pg.3-22
3	1	HF 2406-12-8	Hydraulic Adapter Fitting JIC	
4	1	HF 6804-12-12-12	Hydraulic Tee Fitting - SAE-ORB - MJICs	
5	1	HF 2404-8-12	Hydraulic Fitting - Union	
6	1	HF 6400-8-12	Hyd. Fitting	
7	1	HF 6500-L-12-12-FG	MJ-FJS 90° Elbow Long	
8	1	HF 6505-12-12	Male Pipe To Female JIC Swivel	
9	1	HF 6801-8-12	Hyd. Fitting - 1/2" JIC - 3/4" 90 Degree Elbow	
10	2	HF 8010-4	Quickcoupler 1/2" Male Tip	
11	2	30661	1/2" Hydraulic Hose (8FJX,8MP) - 69"	
12	2	37987	1/2" Hydraulic Hose (8FJX,8FJX) - 73"	

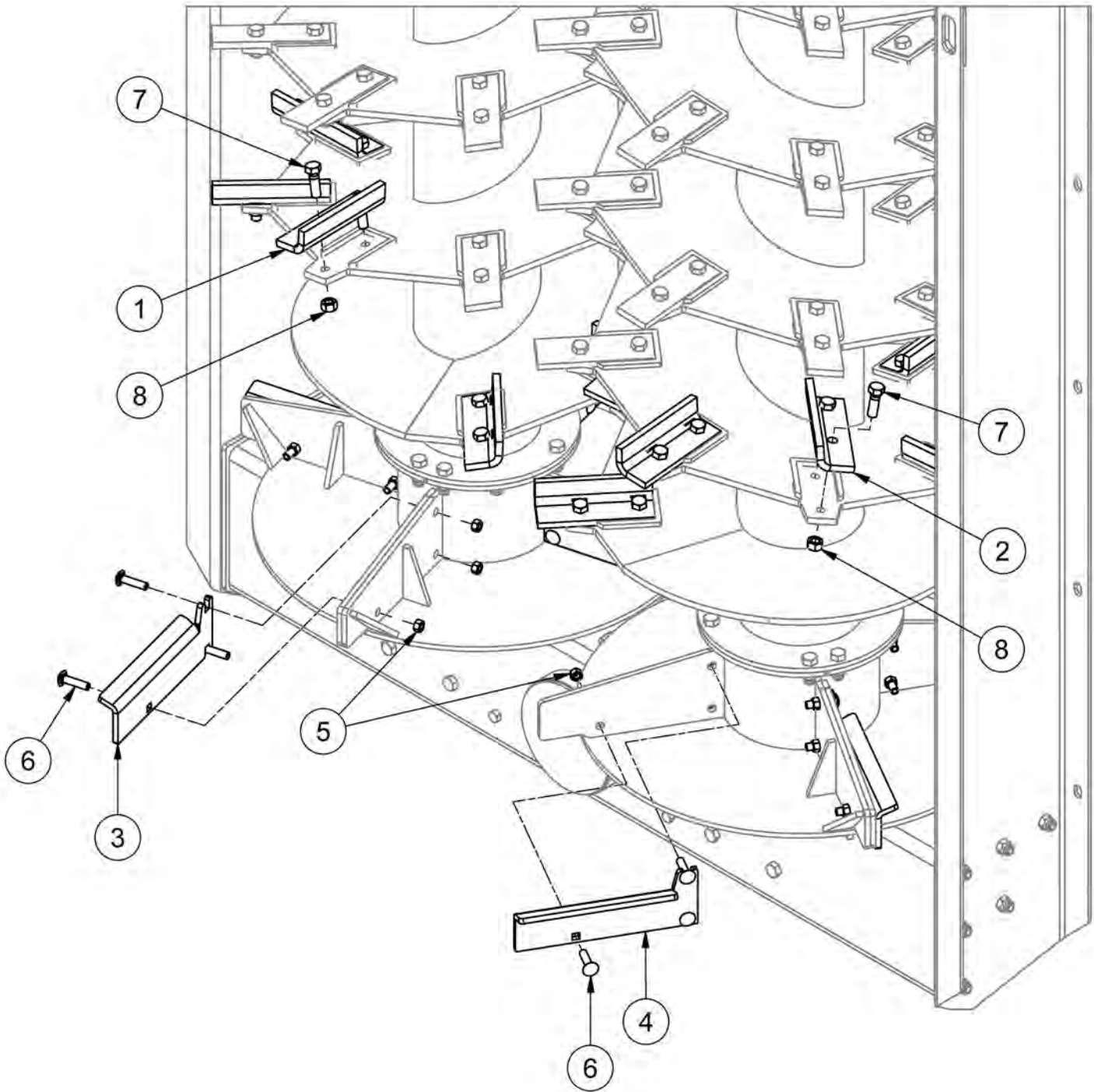
Electric Flow Control Wiring



Electric Flow Control Wiring

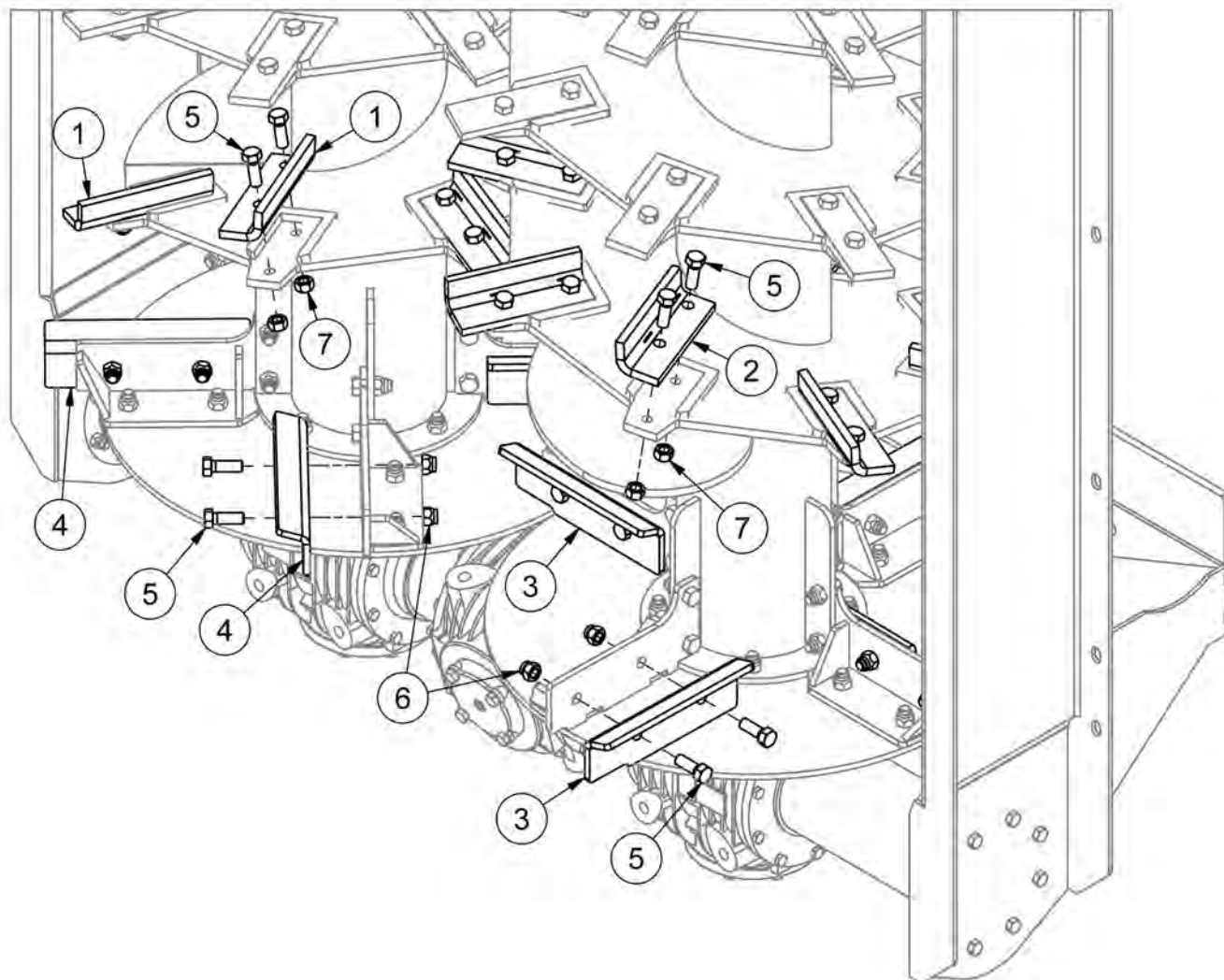
ITEM	QTY	PART NUMBER	DESCRIPTION
1	1	45344	Electric Flow Controller
1.1	1	37970	2 Prong Plug
1.2	1	TL82-2164	Fuse Holder
1.3	9	EL23662	Wire Connector
1.4	1	TL550-100-079	15 AMP Fuse
1.5	2	TB109-110-307	Power Plug
2	1	45345	Electric Flow Control
2.1	1	37968	Solenoid

Flange Paddle Kit - 41503 - Up to SN 24NRS401



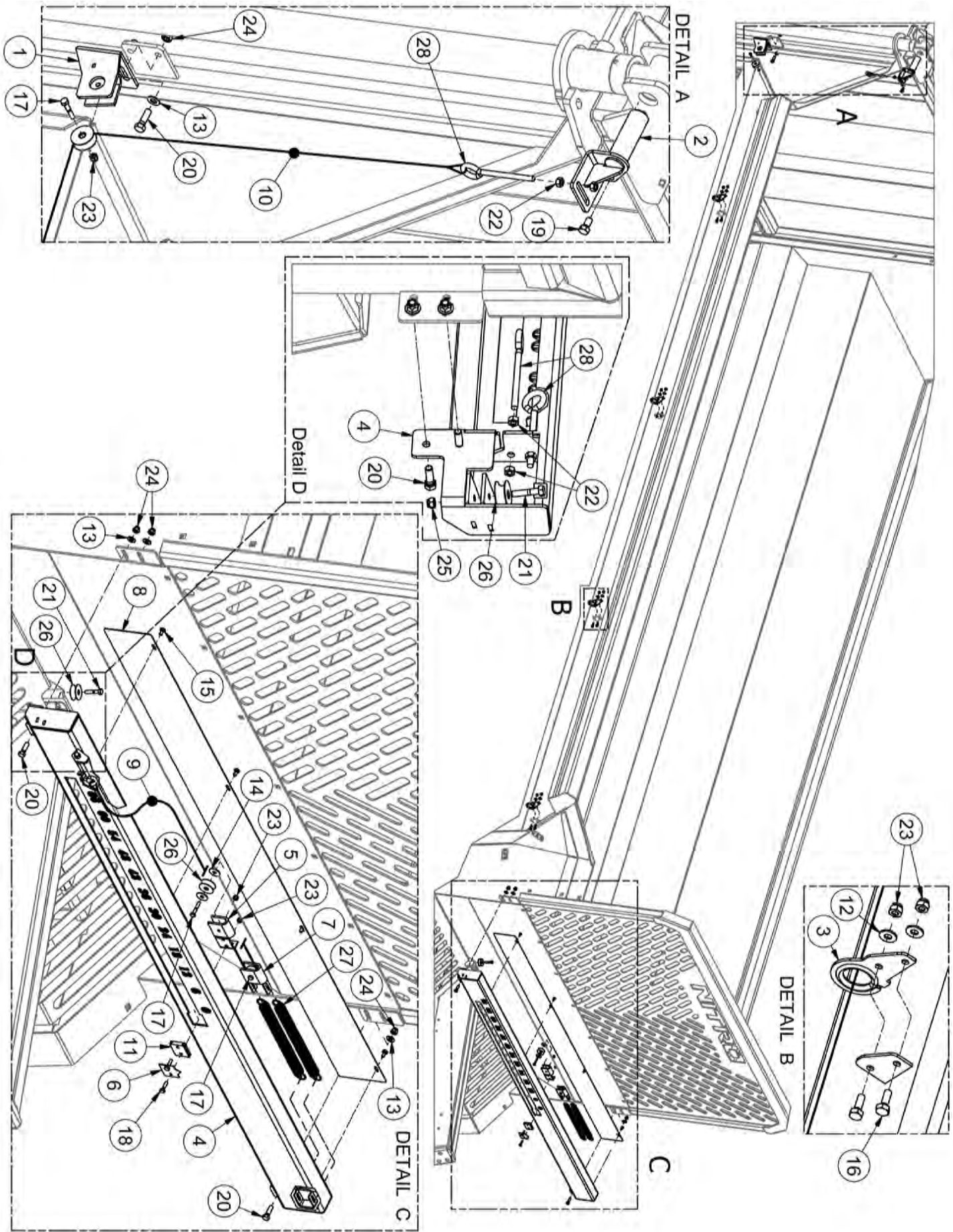
ITEM	QTY	PART NUMBER	DESCRIPTION
1	8	36518	Beater Paddle (Cupped) Left
2	8	37718	Beater Paddle (Cupped) Right
3	4	36020	Spinner Paddle (Cupped) Left
4	4	37514	Spinner Paddle (Cupped) Right
5	24	LN1/2-13TCZ5	LN1/2-13 Gr.C Zinc Top Lock Nut
6	24	CB1/2-13X2CZ5	Carriage Bolt - 1/2-13 x 2" Grade 5 Zinc
7	32	HB5/8-11X2Z5	Hex Bolt 5/8-11x2 Grade 5 Zinc Plated Hex Cap Screw
8	32	LN5/8-11CCZA	Center Lock Nut 5/8"-11 Grade A Zinc Plated

Flange Paddle Kit - 47961 - SN 24NRS402 to Current



ITEM	QTY	PART NUMBER	DESCRIPTION
1	8	36518	Beater Paddle (Cupped) Left
2	8	37718	Beater Paddle (Cupped) Right
3	4	47962	725-BG240 Cupped Spinner Paddle (Right)
4	4	47963	725-BG240 Cupped Spinner Paddle (Left)
5	48	HB5/8-11X1.75Z5	Hex Bolt 5/8-11x1 3/4 Grade 5 Zinc Plated Hex Cap Screw
6	16	LN5/8-11NCZ5	LN 5/8-11 Zinc Plated Nylon Insert Lock Nut
7	32	LN5/8-11TCZ5	LN5/8-11 Gr.C Zinc Top Lock Nut

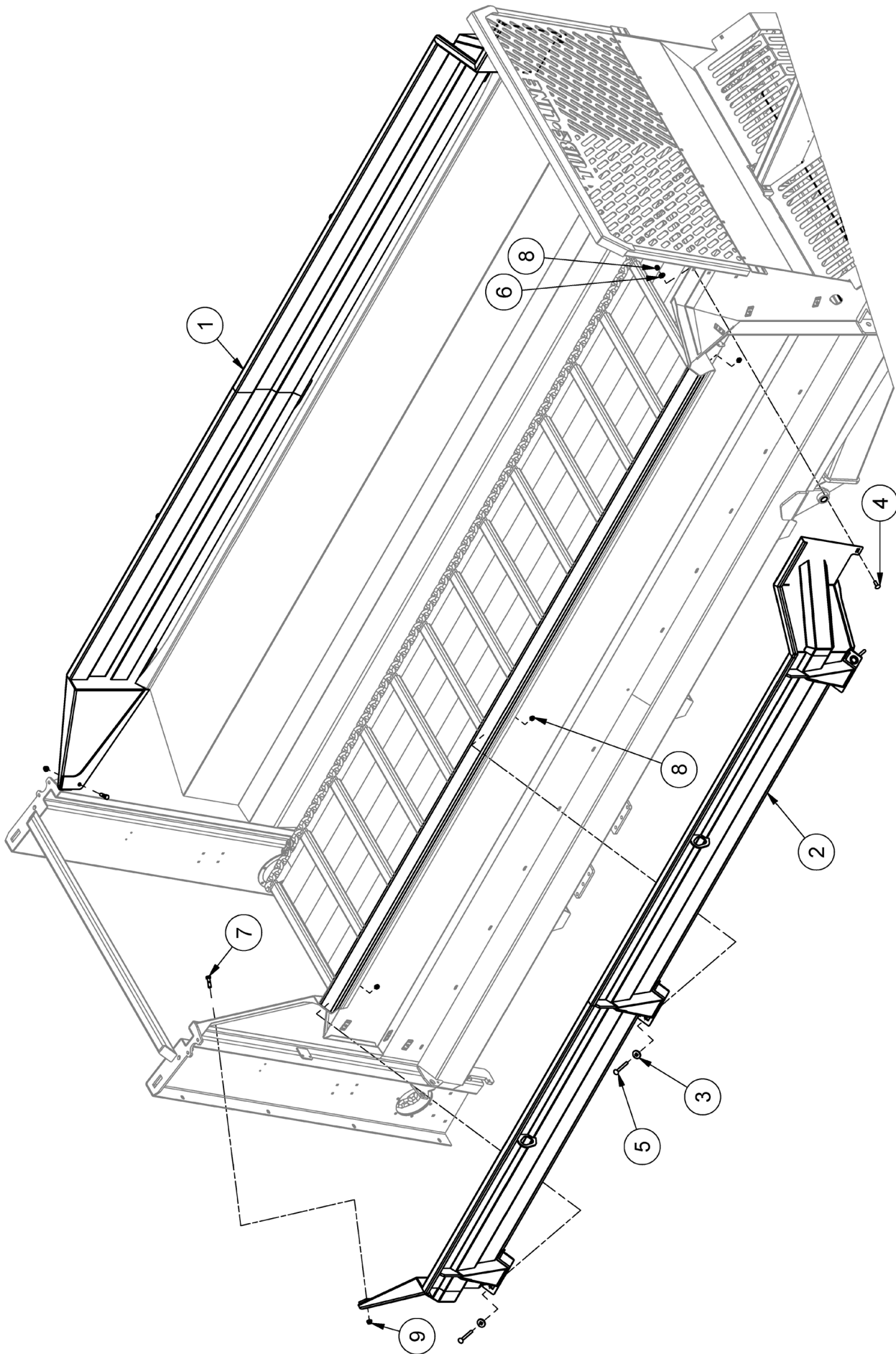
Endgate Indicator Kit - 45414



Endgate Indicator Kit - 45414

ITEM	QTY	PART NUMBER	DESCRIPTION
1	1	45313	Pulley Mount
2	1	45314	Endgate Cable Pin
3	4	45315	Indicator Wire Protector
4	1	45400	Indicator
5	1	45407	Indicator Slider Mount
6	1	45409	Indicator Arrow
7	1	45410	Spring Tensioner Pulley
8	1	45493	Indicator Cover
9	1	48203	Front Indicator Cable - .125" x 70"
10	1	48208	Side Indicator Cable - .125" x 351"
11	1	BF5000-183	Indicator Slider
12	8	FW 1/4	Flatwasher - 1/4" Zinc Plated USS
13	6	FW 3/8	Flatwasher - 3/8" Zinc Plated USS
14	4	FW 5/16	Flatwasher - 5/16" Zinc Plated USS
15	4	HB1/4-20X0.5Z5	Hex Bolt 1/4-20x1/2 Grade 5 Zinc Plated Hex Cap Screw
16	8	HB1/4-20X0.75Z5	Hex Bolt 1/4-20x3/4 Grade 5 Zinc Plated Hex Cap Screw
17	3	HB1/4-20X1.5Z5	Hex Bolt 1/4-20x1 1/2 Grade 5 Zinc Plated Hex Cap Screw
18	2	HB1/4-20X1Z5	Hex Bolt 1/4-20x1 Grade 5 Zinc Plated Hex Cap Screw
19	1	HB3/8-16X0.75Z5	Hex Bolt 3/8-16x3/4 Grade 5 Zinc Plated Hex Cap Screw
20	6	HB3/8-16X1.25Z5	Hex Bolt 3/8-16x1 1/4 Grade 5 Zinc Plated Hex Cap Screw
21	1	HB5/16-18X1.5Z5	Hex Bolt 5/16-18x1 1/2 Grade 5 Zinc Plated Hex Cap Screw
22	6	HN5/16-18CZ5	Hex Nut 5/16"-18 Grade 5 Zinc Plated Finished
23	13	LN1/4-20NCZ5	LN 1/4-20 Zinc Plated Nylon Insert Lock Nut
24	6	LN3/8-16NCZ5	LN 3/8-16 Zinc Plated Nylon Insert Lock Nut
25	1	LN5/16-18NCZ5	LN 5/16-18 Zinc Plated Nylon Insert Lock Nut
26	4	PP00423	Pulley
27	2	PP00491	Spring 8.5 X 1.0 X .105
28	3	PP00682	Eye Bolt - 5/16-18 x 4" Shank Zinc Plated Turned

Silage Side Extensions - TLVSSE725

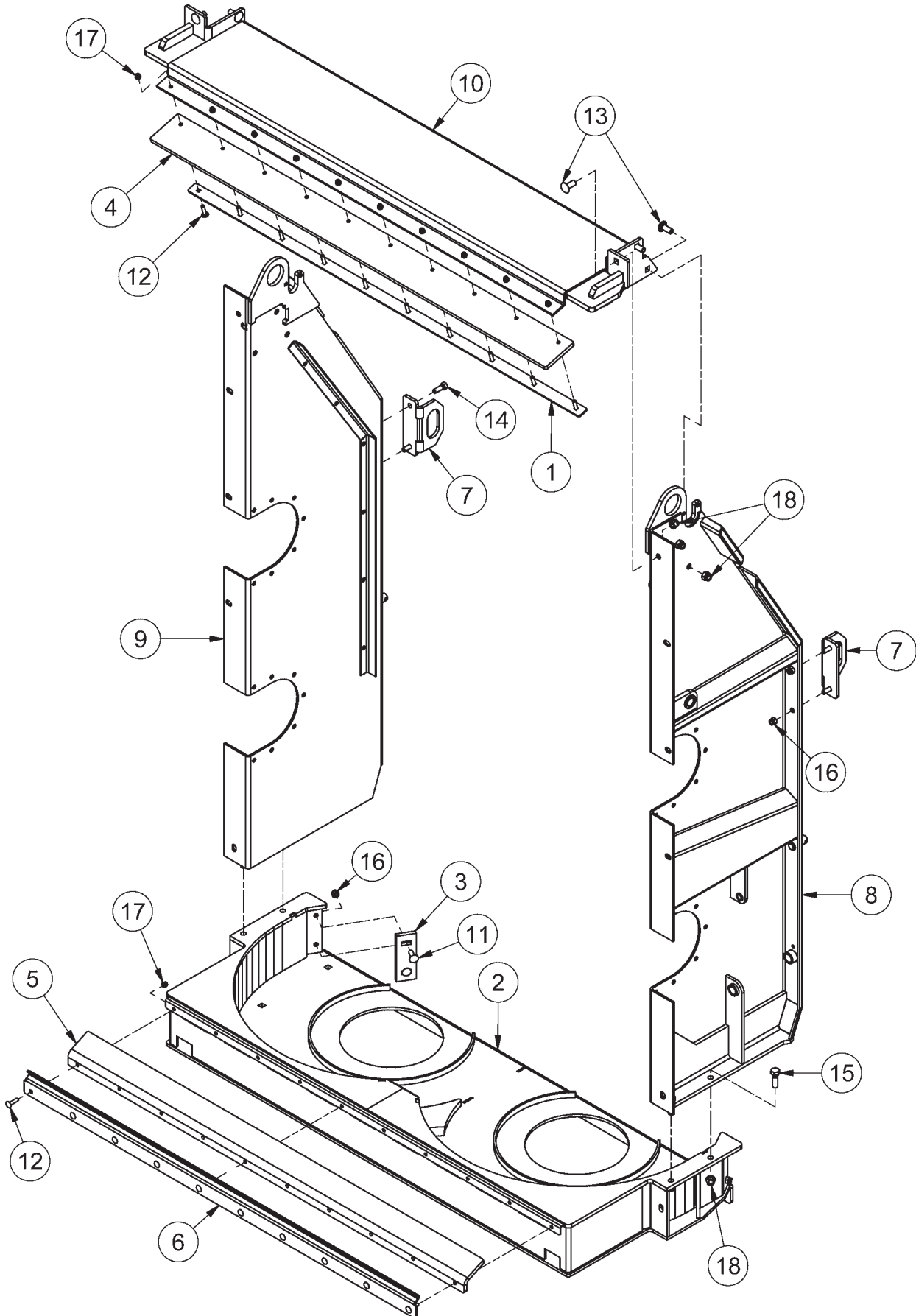


Silade Side Extensions - TLVSSE725

ITEM	QTY	PART NUMBER	DESCRIPTION
1	1	45986	Left Side Extension
2	1	45991	Right Side Extension
3	6	46024	Mount Washer
4	2	CB 1/2-13 X1.5 Z5	Carriage Bolt - 1/2-13 x 1 1/2" Grade 5 Zinc
5	6	CB 1/2-13 X5 Z5	Carriage Bolt - 1/2-13 x 5" Grade 5 Zinc
6	2	FW 1/2	Flatwasher - 1/2" Zinc Plated USS
7	2	HB 9/16-13X2 Z5	Hex Bolt 9/16-13x2 Grade 5 Zinc Plated Hex Cap Screw
8	8	LN 1/2 N	LN 1/2-13 Zinc Plated Nylon Insert Lock Nut
9	2	LN 9/16 N	LN 9/16-12 Zinc Plated Nylon Insert Lock Nut

Section 4 - Option - Poultry Beaters

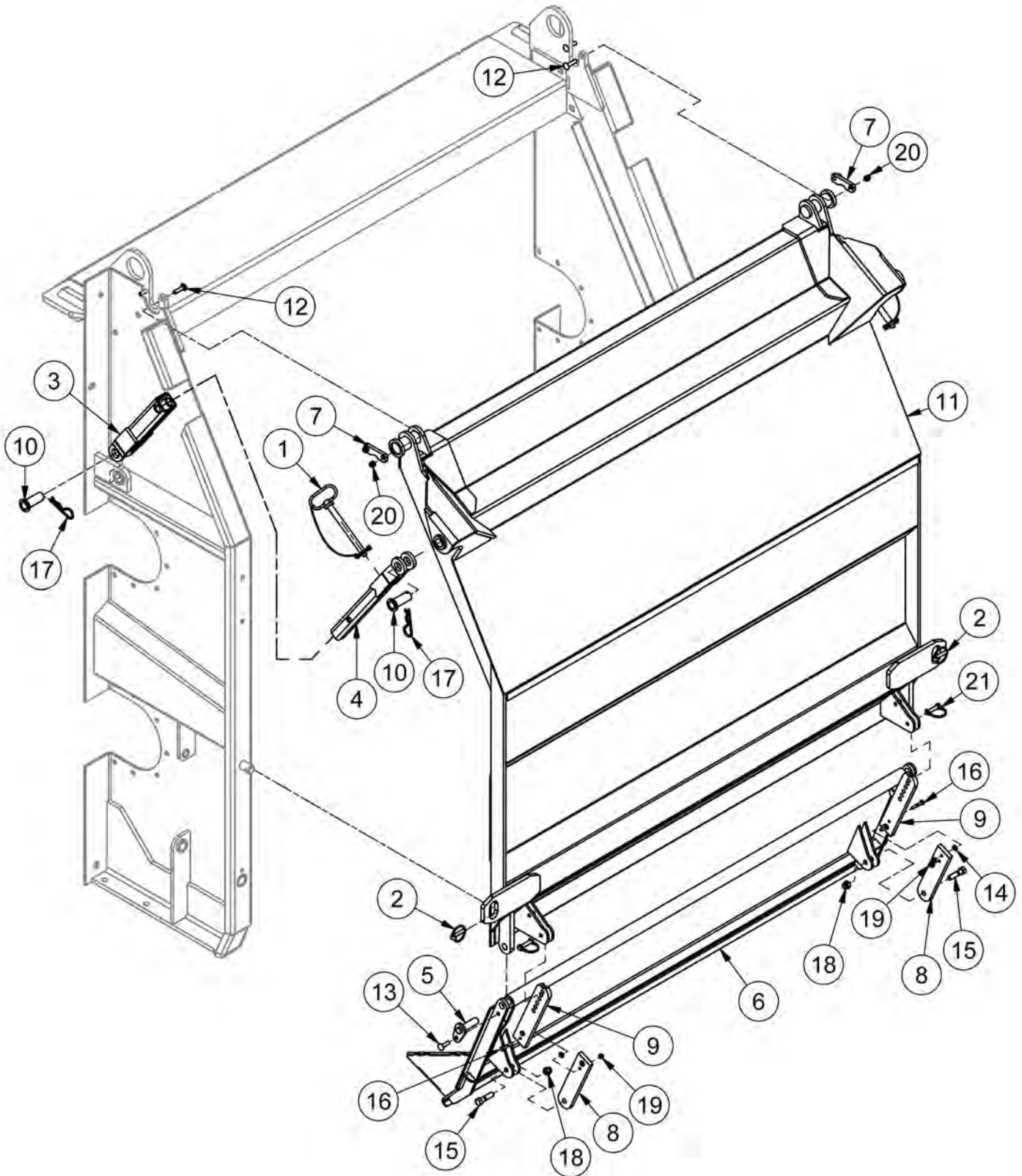
Poultry Beaters - Frame



Poultry Beaters - Frame

ITEM	QTY	PART NUMBER	DESCRIPTION
1	1	700-103	Rubber Hold Down
2	1	42866	Spinner Pan
3	2	42888	Cutting Plate
4	1	43012	Top Runner Seal
5	1	43813	Rubber Endgate Seal
6	1	45358	Wiper Guide
7	2	45829	Poultry Beater Hanger
8	1	48569	Poultry Beater Left Side
9	1	48570	Poultry Beater Right Side
10	1	48593	Top Cross Beam
11	4	CB1/2-13X1.5CZ5	Carriage Bolt - 1/2-13 x 1 1/2" Grade 5 Zinc
12	20	CB3/8-16X1.5CZ5	Carriage Bolt - 3/8-16 x 1 1/2" Grade 5 Zinc
13	8	CB5/8-11X1.5CZ5	Carriage Bolt - 5/8-11 x 1 1/2" Grade 5 Zinc
14	4	HB1/2-13X1.5Z5	Hex Bolt 1/2-13x1 1/2 Grade 5 Zinc Plated Hex Cap Screw
15	4	HB5/8-11X2Z5	Hex Bolt 5/8-11x2 Grade 5 Zinc Plated Hex Cap Screw
16	8	LN1/2-13NCZ5	LN 1/2-13 Zinc Plated Nylon Insert Lock Nut
17	20	LN3/8-16NCZ5	LN 3/8-16 Zinc Plated Nylon Insert Lock Nut
18	12	LN5/8-11NCZ5	LN 5/8-11 Zinc Plated Nylon Insert Lock Nut

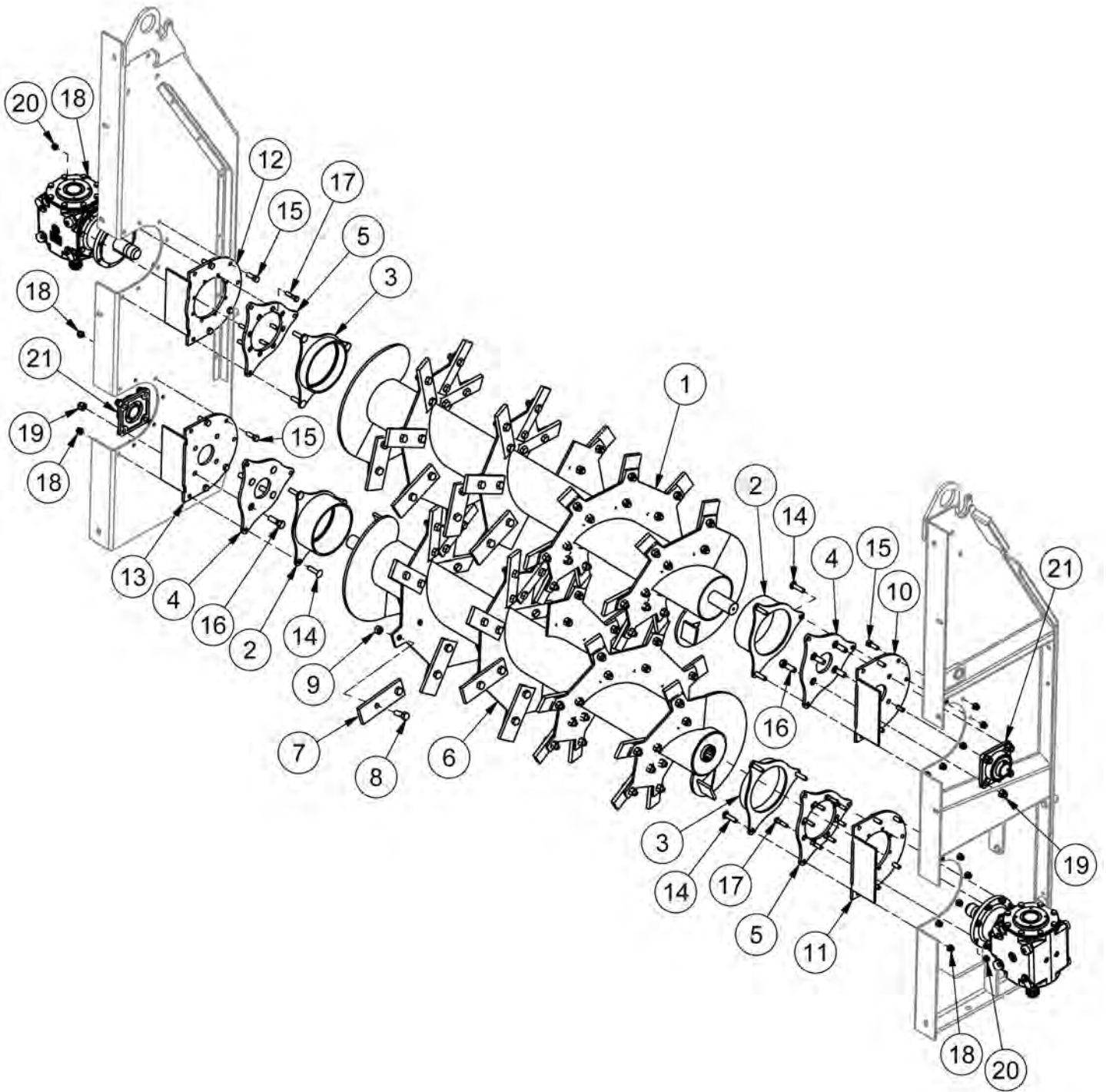
Poultry Beaters - Endgate



Poultry Beaters - Endgate

ITEM	QTY	PART NUMBER	DESCRIPTION
1	2	25522	Hitch Pin 5/8 X 6.5
2	2	28940	Lynch Pin - 3/8 X 1-3/4"
3	2	40389	Sliding Hinge Clevice Assembly
4	2	40393	Sliding Hinge Arm Assembly
5	2	42863	Gate Pin
6	1	42865	Bottom Back Gate
7	2	42898	End Gate Retainer
8	2	42961	Bottom Shear Plate
9	2	42962	Upper Shear Plate
10	4	45361	Hinge Arm Pin ASM
11	1	49885	Back Gate
12	4	CB3/8-16X1.5CZ5	Carriage Bolt - 3/8-16 x 1 1/2" Grade 5 Zinc
13	2	CB3/8-16X1.25CZ5	Carriage Bolt - 3/8-16 x 1 1/4" Grade 5 Zinc
14	4	FW 1/4	Flatwasher - 1/4" Zinc Plated USS
15	2	HB1/2-13X2Z5	Hex Bolt 1/2-13x2 Grade 5 Zinc Plated Hex Cap Screw
16	4	HB1/4-20X1.5Z5	Hex Bolt 1/4-20x1 1/2 Grade 5 Zinc Plated Hex Cap Screw
17	4	HP 5/32 X 3.0	Pin Hitch - .156 X 3.0 (Pin Hair #9) 9 Ga. 3.1/16" OAL Zinc Plated
18	2	LN1/2-13NCZ5	LN 1/2-13 Zinc Plated Nylon Insert Lock Nut
19	4	LN1/4-20NCZ5	LN 1/4-20 Zinc Plated Nylon Insert Lock Nut
20	6	LN3/8-16NCZ5	LN 3/8-16 Zinc Plated Nylon Insert Lock Nut
21	2	LP B1996	Pin - Lock Pin 3/8 X 1 3/8

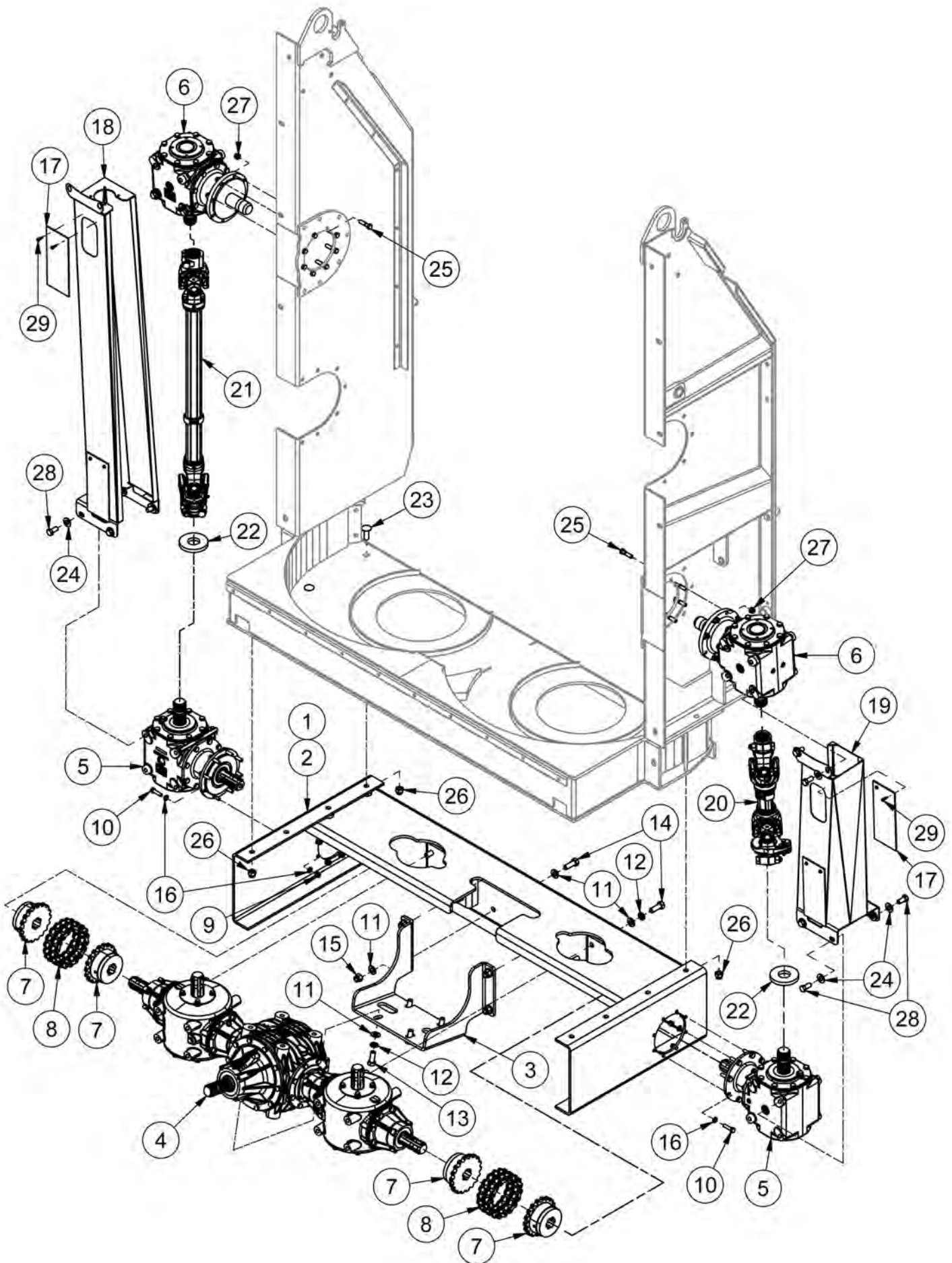
Poultry Beaters - Beaters



Poultry Beaters - Beaters

ITEM	QTY	PART NUMBER	DESCRIPTION	NOTE
1	1	36755	Poultry Beater	Incl. Items 7-9
2	2	42893	Gearbox Bearing Protector	
3	2	42894	Bearing Protector	
4	2	42899	FLange Bearing Protector	
5	2	42960	Bearing Cover Plate	
6	1	43018	Poultry Beater	Incl. Items 7-9
7	28	400-438	Beater Paddle	Qty/1 Beater
8	56	HB5/8-11X1.75Z5	Hex Bolt 5/8-11x1 3/4 Grade 5 Zinc Plated Hex Cap Screw	Qty/1 Beater
9	56	LN5/8-11CCZA	Center Lock Nut 5/8"-11 Grade A Zinc Plated	Qty/1 Beater
10	1	48573	Upper Left Beater Locator	
11	1	48578	Lower Left Beater Locator	
12	1	48581	Upper Right Beater Locator	
13	1	48586	Lower Left Beater Locator	
14	12	CB1/2-13X2CZ5	Carriage Bolt - 1/2-13 x 2" Grade 5 Zinc	
15	16	HB1/2-13X1.5Z5	Hex Bolt 1/2-13x1 1/2 Grade 5 Zinc Plated Hex Cap Screw	
16	8	HB5/8-11X2Z5	Hex Bolt 5/8-11x2 Grade 5 Zinc Plated Hex Cap Screw	
17	16	HB7/16-14X1.75Z5	Hex Bolt 7/16-14x1 3/4 Grade 5 Zinc Plated Hex Cap Screw	
18	28	LN1/2-13NCZ5	LN 1/2-13 Zinc Plated Nylon Insert Lock Nut	
19	8	LN5/8-11NCZ5	LN 5/8-11 Zinc Plated Nylon Insert Lock Nut	
20	16	LN7/16-14NCZ5	LN 7/16-14 Zinc Plated Nylon Insert Lock Nut	
21	2	BEA UCF209-28R3	Flange Bearing, Triple Seal, Ductile Iron	

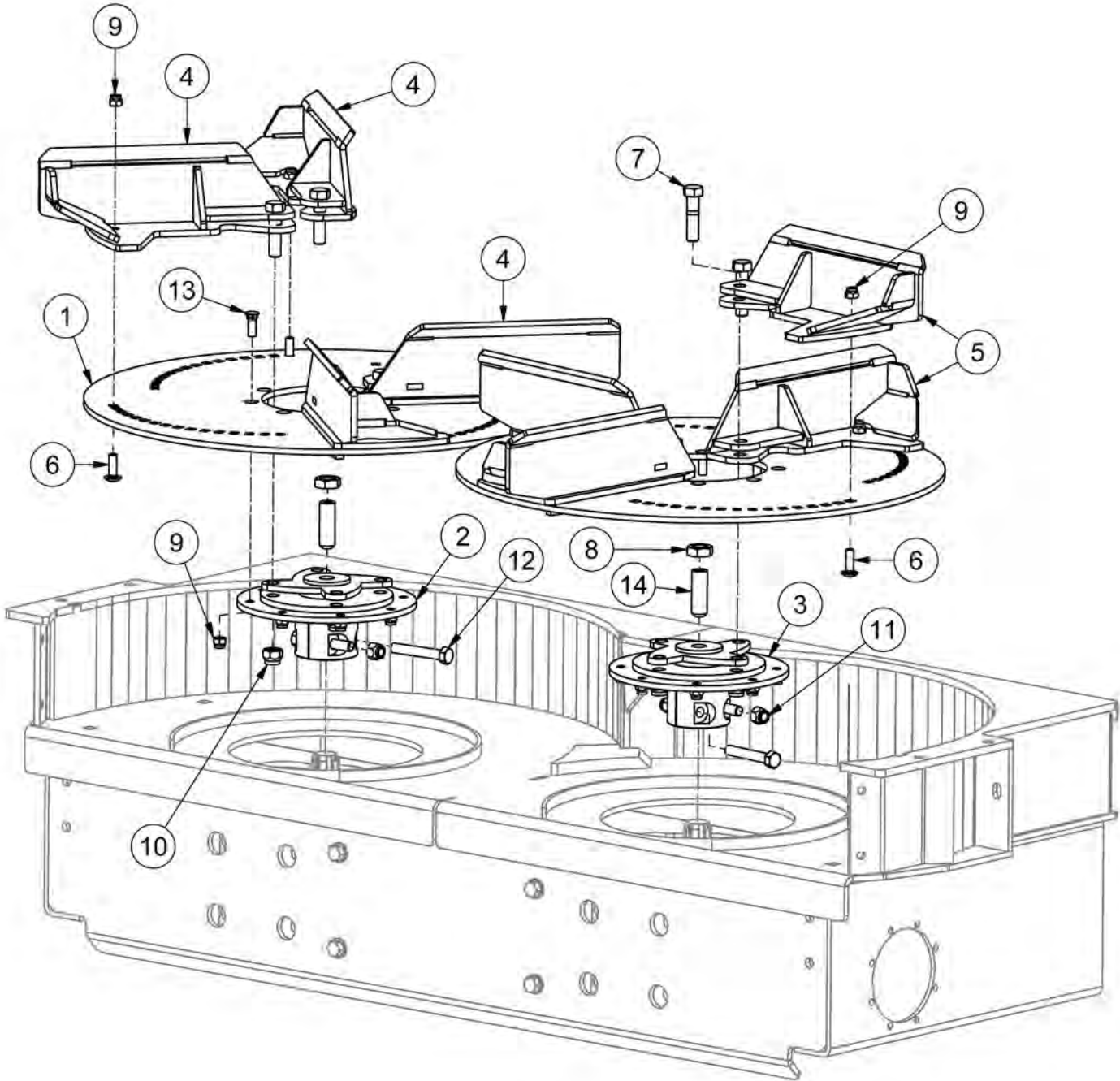
Poultry Beaters - Drivelines



Poultry Beaters - Drivelines

ITEM	QTY	PART NUMBER	DESCRIPTION	NOTE
1	1	43110	Poultry Litter Gearbox Assembly T301B - Comer	Inc. Items 2-16
2	1	45000	T301B Frame	
3	1	45001	T301B Gearbox Mount	
4	1	45002	T301B Gearbox Assembly	Pg.4-11
5	2	45003	T279A Gearbox (80HP)	Pg.4-13
6	2	45004	T279A Gearbox (50HP)	Pg.4-15
7	4	45005	8018H1 3/4-6 Spline Chain Coupler	
8	2	45006	8018H Coupling Chain (Inc C/L)	
9	16	LN10MM	Locknut - M10-1.5 Zinc Plated Nylon Insert Lock Nut	
10	16	M10X40X1.5	Metric Bolt	
11	20	FWMM16	Flatwasher - M16 Black DIN6916 Struct.	
12	12	LW 16MM	Lockwasher Metric 16mm	
13	4	M16X40X2	Metric Bolt	
14	12	M16X45X2	Metric Bolt	
15	4	LN16-2CZ5	Locknut - M16-2 Zinc Plated Nylon Insert Lock Nut	
16	32	FWMM10	Flatwasher - M10 Black DIN6916 Struct.	
17	4	43057	PTO Shield Grease Cover	
18	1	43127	Right PTO Shield Assembly	
19	1	43128	Left PTO Shield	
20	1	43976	T60 Short Driveline	Pg.4-17
21	1	43977	T60 Long Driveline	Pg.4-19
22	2	46186	UHMW Seal Protector	
23	6	CB5/8-11X1.75CZ5	Carriage Bolt - 5/8-11 x 1 3/4" Grade 5 Zinc	
24	12	FW 5/8	Flatwasher - 5/8" Zinc Plated USS	
25	16	HB7/16-14X1.75Z5	Hex Bolt 7/16-14x1 3/4 Gr 5 Zinc Plated Hex Cap Screw	
26	6	LN5/8-11NCZ5	LN 5/8-11 Zinc Plated Nylon Insert Lock Nut	
27	16	LN7/16-14NCZ5	LN 7/16-14 Zinc Plated Nylon Insert Lock Nut	
28	12	M14X30X2	Metric Bolt	
29	8	MS 10 X 0.75 SDS	Machine Screw - 3/16 x 3/4 Hex Washer Head Self Drilling Screw Zinc	

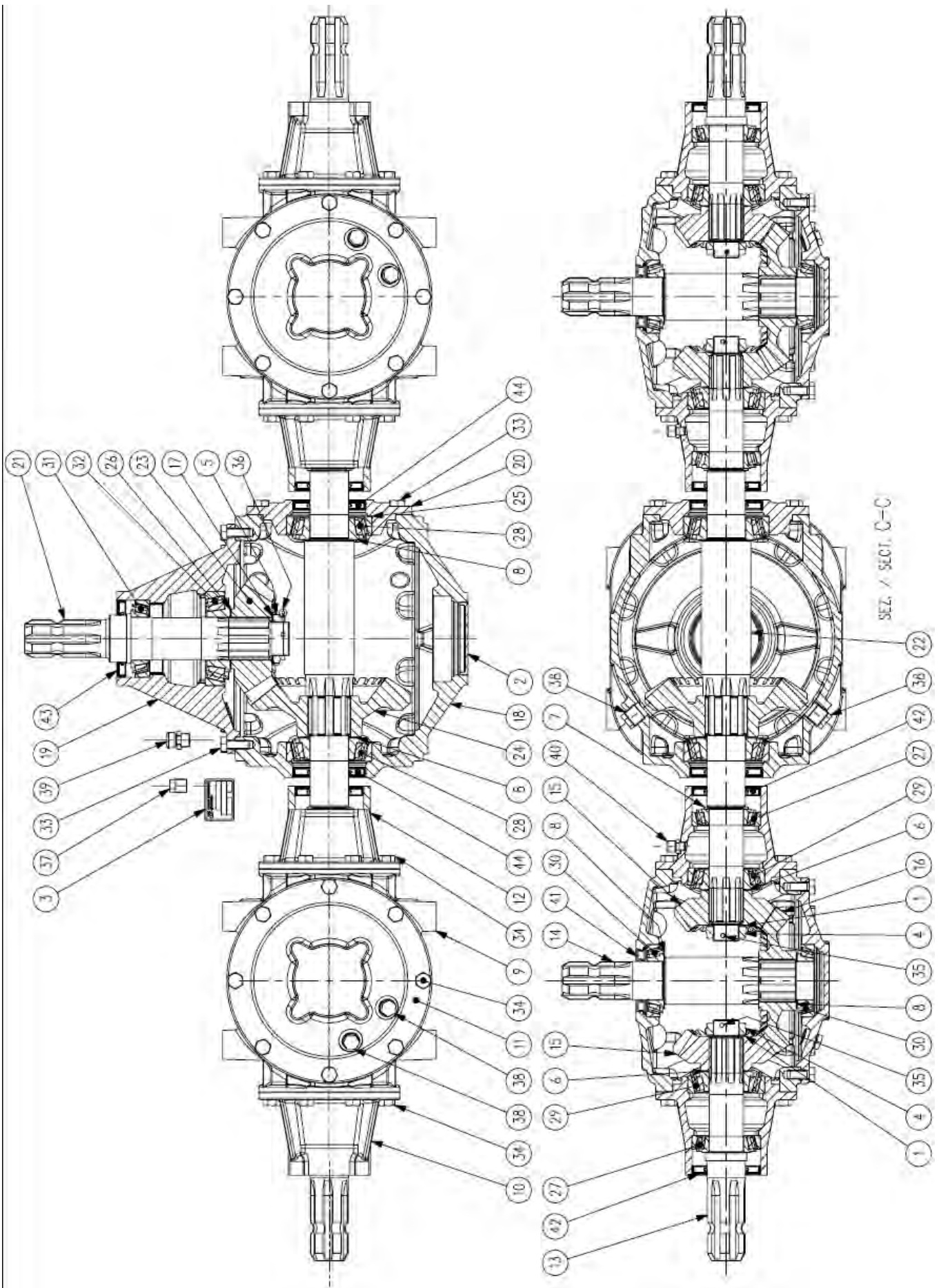
Poultry Beaters - Spinners



Poultry Beaters - Spinners

ITEM	QTY	PART NUMBER	DESCRIPTION
1	1	43818	Left Spinner w/ Wiper
2	1	45963	Left Spinner Hub
3	1	45964	Right Spinner Hub
4	4	46660	Left Spinner Paddle
5	4	46661	Right Spinner Paddle
6	8	CB1/2-13X1.5CZ5	Carriage Bolt - 1/2-13 x 1 1/2" Grade 5 Zinc
7	8	HB3/4-10X3Z5	Hex Bolt 3/4-10x3 Grade 5 Zinc Plated Hex Cap Screw
8	2	HNJ1.0-14FZ2	Hex Nut - 1-14 Zinc Plated Hex Jam Nut
9	24	LN1/2-13NCZ5	LN 1/2-13 Zinc Plated Nylon Insert Lock Nut
10	8	LN3/4-10NCZ5	LN 3/4-10 Zinc Plated Nylon Insert Lock Nut
11	4	LN16MM	Locknut - M16-2 Zinc Plated Nylon Insert Lock Nut
12	4	M16X100X2	Metric Bolt
13	16	PB 1/2-13X1.5	Plow Bolts - 1/2-13 x 1 1/2 Flat Head Gr.5
14	2	SS 1-14X3	Allan Head Set Screw, 1-14 x 3

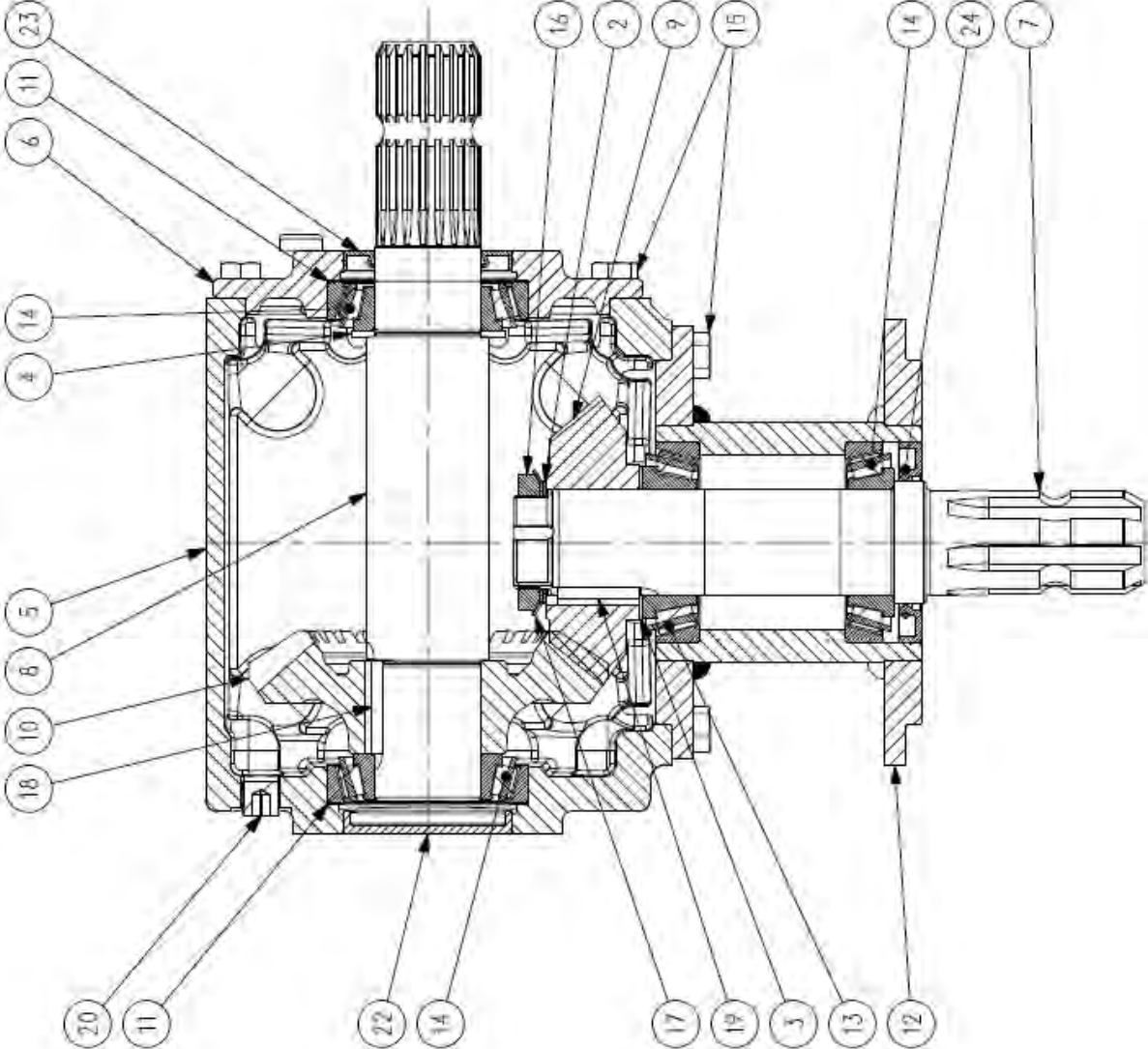
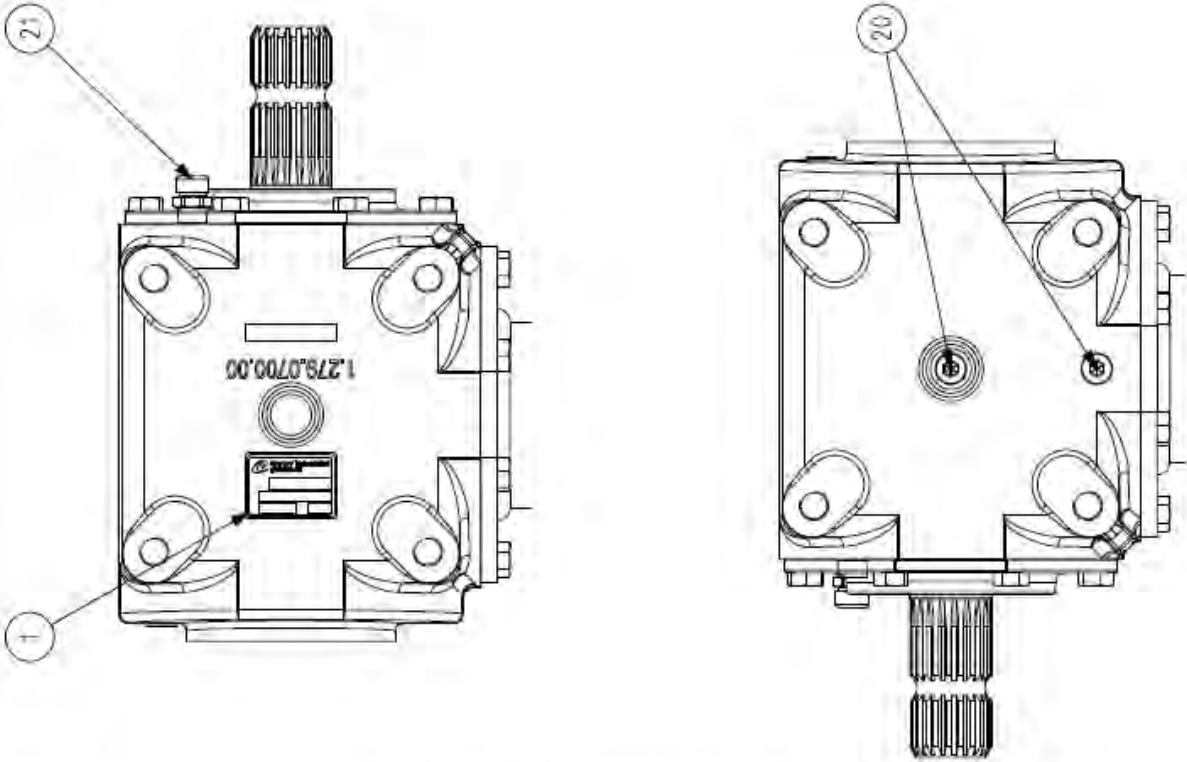
Poultry Beaters - 45002 - Gearbox Assembly



Poultry Beaters - 45002 - Gearbox Assembly

ITEM	QTY	PART NUMBER	DESCRIPTION
1	4	0.102.7515.00	Shim 30.3x44.0x1.5
2	1	0.121.7101.00	Cap 85x10
3	1	0.124.7101.00	Plate "Comer"
4	4	0.132.7106.00	Nut M30 X 1.5
5	1	0.132.7107.00	Castle Nut M40 X 1.5
6	4	0.244.7500.00	Shim Kit for Gear Box T-278A (40.3 X 51.5)
7	2	0.244.7525.00	Shim 40-52-2.5MM
8	6	0.252.7500.00	Shim 45.3 X 65.3
9	2	0.269.0301.00	Casing (45002)
10	2	0.269.1303.00	Extension (45002)
11	2	0.269.1341.00	Cover (45002)
12	2	0.269.1746.00	Extension (45002)
13	2	0.269.2004.00	Shaft 1" 3/4 Z6 (45002)
14	2	0.269.3020.00	Shaft 1 3/4 x 6 Spline
15	4	0.269.5001.00	Pinion Z19 M6.3 (45002)
16	2	0.269.6002.00	Crown Wheel Z27 M6.3
17	1	0.285.7510.00	Shim 40.3x 61.7 X 1 (45002)
18	1	0.301.0300.00	Casing
19	1	0.301.1300.00	Extension
20	1	0.301.1302.00	Cover
21	1	0.301.2000.00	Shaft 1" 3/4 Z6
22	1	0.301.3019.00	Shaft
23	1	0.301.5001.00	Pinion Z20 M7.5
24	1	0.301.6001.00	Crown Wheel Z27 M7.5
25	1	0.703.7500.00	Shim 85.3 x 99.7
26	1	0.712.7500.00	Shim 50.3x70.3 (45002)
27	4	8.0.9.00024	Bearing for Gearbox T-278A (30208) 8.0.9.01060
28	2	8.0.9.00107	Bearing 30309
29	4	8.0.9.00128	Taper Roller Bearing 30308
30	4	8.0.9.00143	Tapered Roller Bearing 30209
31	1	8.0.9.00469	Bearing 30210
32	1	8.0.9.00653	Bearing 30310
33	18	8.1.1.00061	Bolt M10X25-8,8
34	48	8.1.1.00501	Bolt M10X22-8.8
35	4	8.4.7.01111	Cotter Pin B4X55
36	1	8.4.7.01112	Cotter Pin B4X60
37	1	8.6.5.00006	Plug Hexagon 3/8" Gas
38	10	8.6.5.00203	Plug with Ex. Hex 1/2" Gas
39	1	8.6.7.00161	Filler-Breather Plug 3/8" Gas
40	2	8.6.7.02660	Oil Filler Plug
41	2	8.7.1.00981	Double Lip Seal 45-72-8 (TC)
42	4	8.7.1.00999	Double Lip Seal 45X80X10
43	1	8.7.1.01099	Double Lip Seal 55X90X10
44	2	8.7.1.02348	Dust Lip Oil Seal 45X85X10

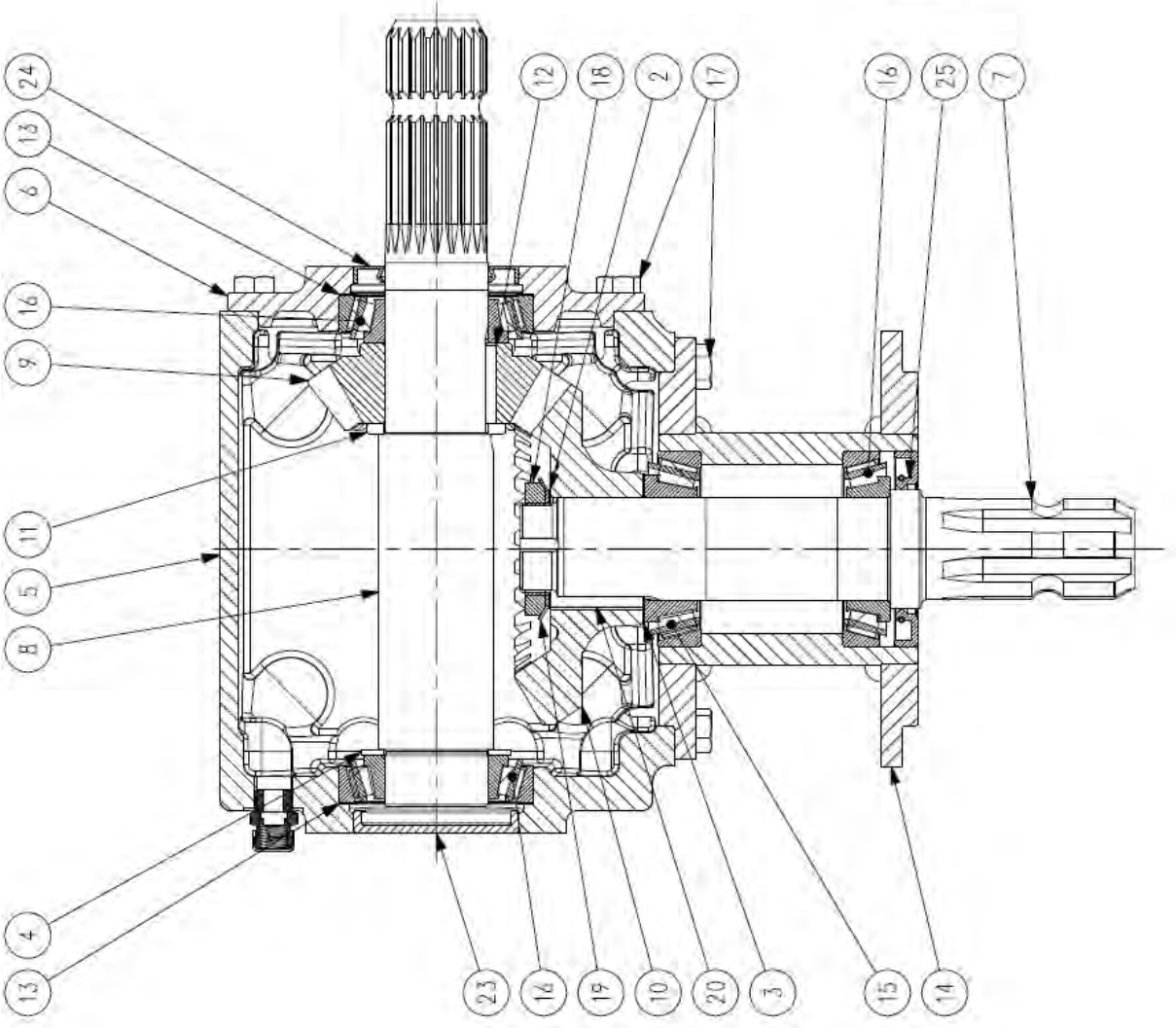
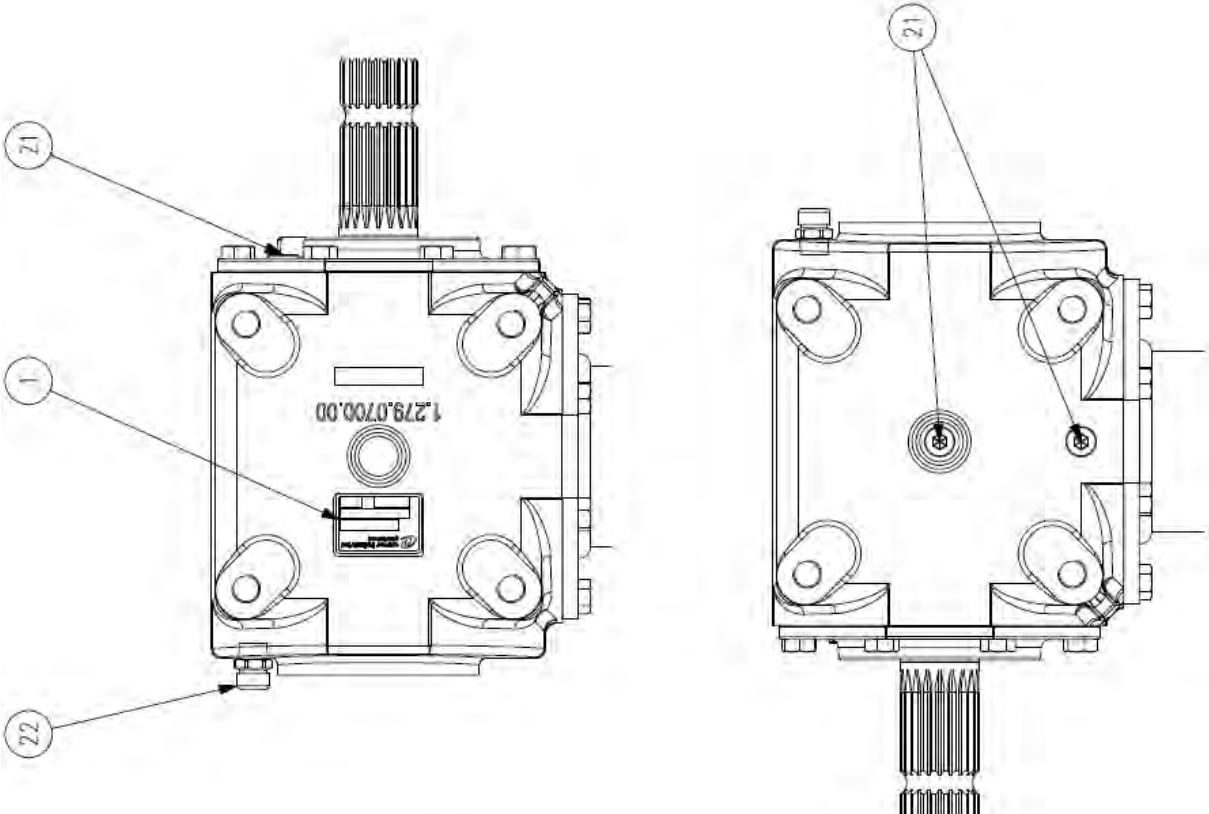
Poultry Beaters - 45003 - Gearbox Assembly



Poultry Beaters - 45003 - Gearbox Assembly

ITEM	QTY	PART NUMBER	DESCRIPTION
1	1	0.124.7101.00	Plate "Comer"
2	1	0.244.7510.00	Shim Kit for Gear Box T-278A (40.3 X 51.5)
3	1	0.252.7500.00	Shim Kit 45.3x65.3
4	1	0.252.7525.00	Shim 45.3x65.3x2.5
5	1	0.279.0718.00	Casing (45003)
6	1	0.279.1316.00	Cover (45003)
7	1	0.279.2007.00	Shaft 1" 3/4 Z6
8	1	0.279.3223.00	Shaft 1" 3/4 Z20
9	1	0.279.5001.00	Pinion Z20 M5,7
10	1	0.279.6001.00	Crown Wheel Z27 M5,7
11	2	0.709.7500.00	Shim Kit 70.3x84.7
12	1	2.279.1325.00	Extension
13	1	8.0.9.00125	Tapered Roller Bearing 32209
14	3	8.0.9.00143	Tapered Roller Bearing 30209
15	16	8.1.1.00501	Hex Bolt M10X22-8.8
16	1	8.2.5.00064	Locknut M40x1.5 ZNH9
17	1	8.3.8.00065	Spring Washer 40x62x1,25
18	1	8.4.1.00978	Parallel Key B 14X9X40
19	1	8.4.1.01028	Parallel Key B 14X9X35
20	3	8.6.6.00201	Plug 3/8"GAS
21	1	8.6.7.00161	Filler-Breather Plug 3/8" Gas
22	1	8.7.0.00744	Cap 72x10
23	1	8.7.1.00981	Double Lip Seal 45-72-8 (TC)
24	1	8.7.3.01096	Dust Lip Oil Seal 52X85X10

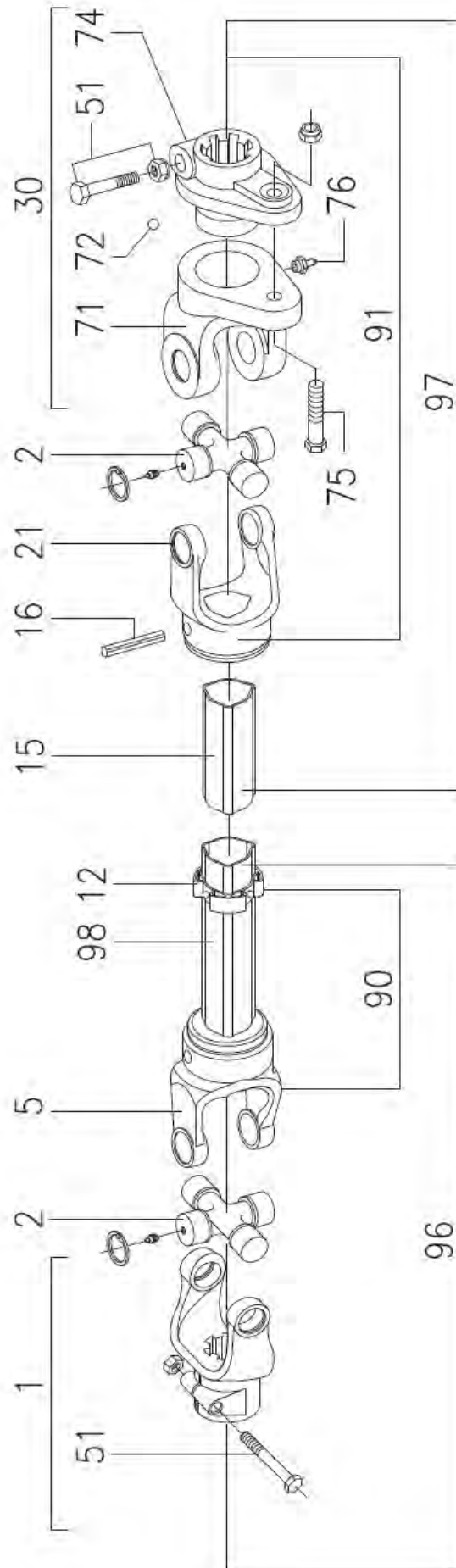
Poultry Beaters - 45004 - Gearbox Assembly



Poultry Beaters - 45004 - Gearbox Assembly

ITEM	QTY	PART NUMBER	DESCRIPTION
1	1	0.124.7101.00	Plate "Comer"
2	1	0.244.7510.00	Shim Kit for Gear Box T-278A (40.3 X 51.5)
3	1	0.252.7500.00	Shim Kit 45.3x65.3
4	1	0.252.7525.00	Shim 45.3x65.3x2.5
5	1	0.279.0718.00	Casing (45003)
6	1	0.279.1316.00	Cover (45003)
7	1	0.279.2007.00	Shaft 1" 3/4 Z6
8	1	0.279.3017.00	Shaft 1" 3/8 Z6
9	1	0.279.5003.00	Pinion Z18 M5.7
10	1	0.279.6003.00	Crown Wheel Z27 M5.7
11	1	0.279.7100.00	Spacer 45.3x60x5
12	1	0.279.7121.01	Parallel Key B 14X9X34
13	2	0.709.7500.00	Shim Kit 70.3x84.7
14	1	2.279.1325.00	Extension
15	1	8.0.9.00125	Tapered Roller Bearing 32209
16	3	8.0.9.00143	Tapered Roller Bearing 30209
17	16	8.1.1.00501	Hex Bolt M10X22-8.8
18	1	8.2.5.00064	Locknut M40x1.5 ZNH9
19	1	8.3.8.00065	Spring Washer 40x62x1,25
20	1	8.4.1.00978	Parallel Key B 14X9X40
21	3	8.6.6.00201	Plug 3/8"Gas
22	1	8.6.7.00161	Filler-Breather Plug 3/8" Gas
23	1	8.7.0.00744	Cap 72x10
24	1	8.7.1.00981	Double Lip Seal 45x72x8
25	1	8.7.3.01096	Dust Lip Oil Seal 52X85X10

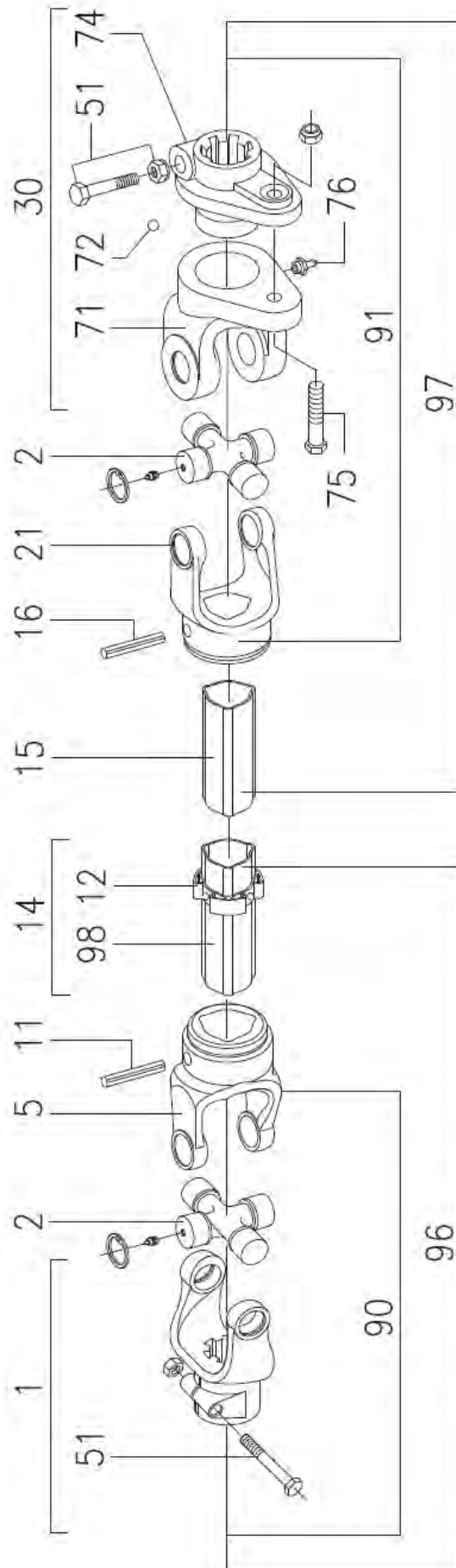
Poultry Beaters - 43976 - Short Driveline



Poultry Beaters - 43976 - Short Driveline

ITEM	QTY	PART NUMBER	DESCRIPTION
1	1	141.026.083.1	Complete Interfering Clamp Bolt Yoke 135.75" Z20
2	2	180.016.764	Cross Journal Set 30.2x92
5			Outer Yoke
11			Roll Pin for Outer Tube
12	1	180.016.316	Grease Fitting Bushing
14			Complete Outer Tube 130
15	1	153.160.106	Inner Tube 215
16	1	190.000.016	Roll Pin for Inner Tube
21	1	151.016.029.1	Inner Yoke
30	1	143.260.064.1	Complete Shear Bolt B35 (55xM8) 1.75" Z20
51	3	190.000.576	Bolt & Nut M16x2x80 c1.8.8
71	1	151.016.176.1	Hub Yoke B05 (55xM8)
72	24	190.000.023	Ball 5/16" Dia
74	1	151.016.937.1	Hub B35 (55xM8)
75	6	165.000.506	Bolt & nut M8x1.25x60 c1.8.8
76	1	190.000.021	Grease Fitting M10x1
90	1	122.360.096.1	Female Tube Yoke with Label
91	1	121.026.1418.11	Inner Tube U Joint
96	1	123.360.541.11	Female Half Shaft
97	1	123.460.1108.11	Male Half Shaft
98	1	190.000.216	Outer Tube DANGER Label

Poultry Beaters - 43977 - Long Driveline

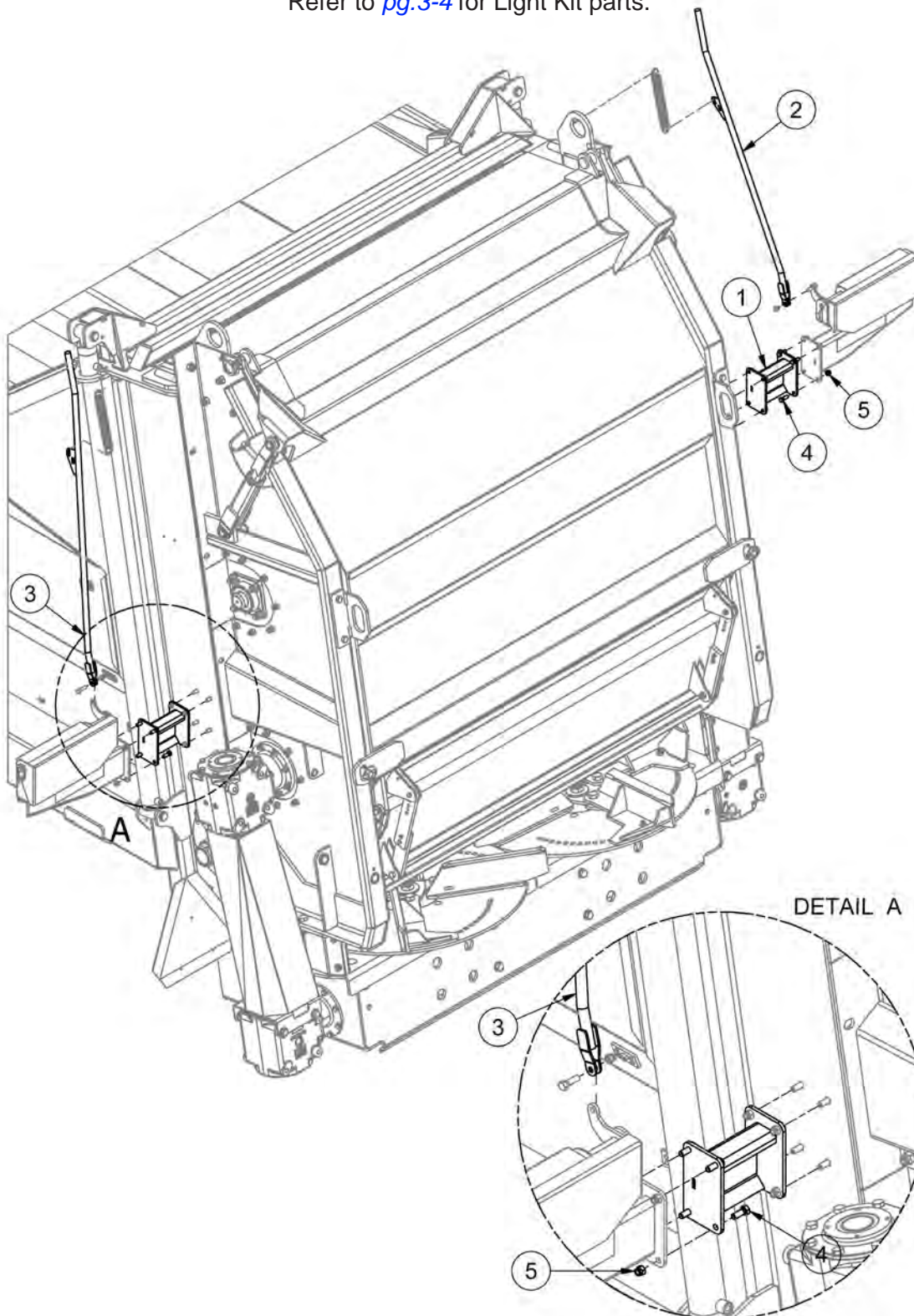


Poultry Beaters - 43977 - Long Driveline

ITEM	QTY	PART NUMBER	DESCRIPTION
1	1	141.026.083.1	Complete Interfering Clamp Bolt Yoke 135.75" Z20
2	2	180.016.764	Cross Journal Set 30.2x92
5	1	151.016.028.1	Outer Yoke
11	1	190.000.018	Outer Tube Roll Pin
12	1	180.016.316	Grease Fitting Bushing
14	1	152.170.282.0720	Complete Outer Tube 700
15	1	153.160.111	Inner Tube 715
16	1	190.000.016	Roll Pin for Inner Tube
21	1	151.016.029.1	Inner Yoke
30	1	143.260.064.1	Complete Shear Bolt B35 (55xM8) 1.75" Z20
51	3	190.000.576	Bolt & Nut M16x2x80 c1.8.8
71	1	151.016.176.1	Hub Yoke B05 (55xM8)
72	24	190.000.023	Ball 5/16" Dia
74	1	151.016.937.1	Hub B35 (55xM8)
75	6	165.000.506	Bolt & nut M8x1.25x60 c1.8.8
76	1	190.000.021	Grease Fitting M10x1
90	1	121.026.1417.10	Female Tube Yoke with Label
91	1	121.026.1418.11	Inner Tube U Joint
96	1	123.360.540.11	Female Half Shaft
97	1	123.460.1107.11	Male Half Shaft
98	1	190.000.216	Outer Tube DANGER Label

Poultry Beaters - 50241 - Light Kit Extension Option

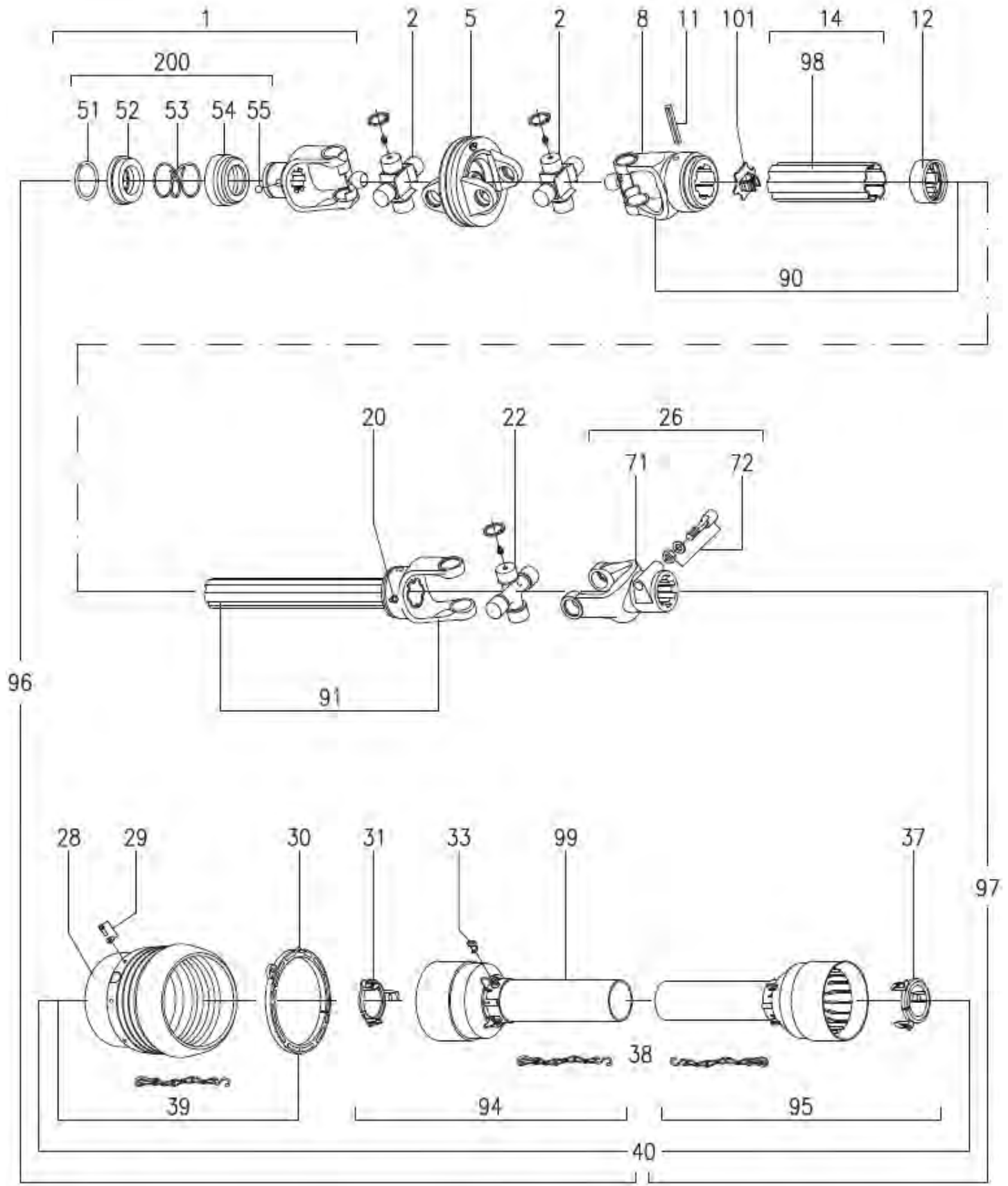
Refer to [pg.3-4](#) for Light Kit parts.



ITEM	QTY	PART NUMBER	DESCRIPTION
1	2	44999	Light Spacer ASM
2	1	50237	725 Right Light Arm
3	1	50239	725 Left Light Arm
4	8	HB3/8-16X1Z5	Hex Bolt 3/8-16x1 Grade 5 Zinc Plated Hex Cap Screw
5	8	LN3/8-16NCZ5	LN 3/8-16 Zinc Plated Nylon Insert Lock Nut

Section 5 - PTOs

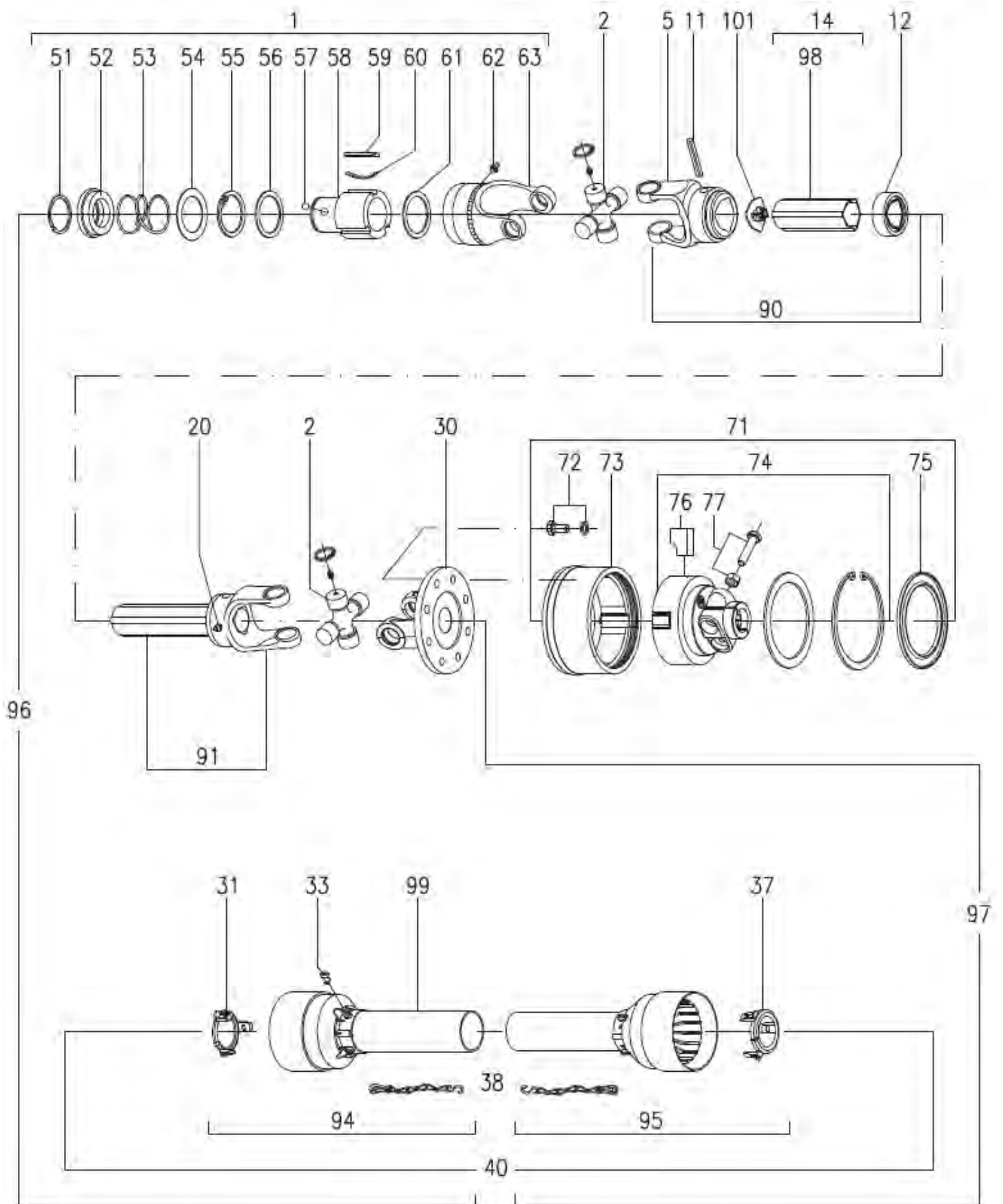
39850 - PTO. 375,450,525,600,750 (V80-141P028359-028028-CV80-CLS)



39850 - PTO. 375,450,525,600,750 (V80-141P028359-028028-CV80-CLS)

ITEM	QTY	PART NUMBER	DESCRIPTION
1	1	PTO141.028.359.1	Complete Collar yoke C03 for CV-Joint
2	2	PTO180.018.580	Cross Journal Set for CV-Joint
5	1	PTO141.028.157.1	Wide Angle Double Yoke
8	1	PTO141.028.248.1	Outer Yoke
11	1	PTO190.000.243	Roll Pin for Outer Tube
12	1	PTO180.018.437	Wiper
14	1	PTO152.280.566.0720	Complete Outer Tube
20	1	PTO180.017.411	Grease Nipple for Lube
22	1	PTO180.018.641	Cross Journal Set
26	1	PTO141.028.028.1	Complete Yoke 132
28	1	PTO180.018.582	Guard Cone for Wide Angle CV-Joint
29	6	PTO165.000.694	Screw Kit
30	1	PTO158.018.582	Bearing Ring
31	1	PTO180.018.251	Guard Retaining Collar for Outer Tube
33	3	PTO180.014.240	Bolt
37	1	PTO180.018.252	Guard Retaining Collar for Inner Tube
38	1	PTO180.016.790	Safety Chains
39	1	PTO165.000.801	Guard Cone Set
40	1	PTO142.981.078.2821	Complete Guard with Instruction Manual
51	1	PTO190.000.451	Outer Circlip
52	1	PTO151.016.486	Sliding Sleeve Collar
53	1	PTO180.016.487	Spring
54	1	PTO180.016.483	Fixed Sleeve
55	3	PTO190.000.078	Ball Ø 1/2"
71	1	PTO151.018.028.1	Yoke 132
72	1	PTO165.000.502	Tapered Pin Set 1" 3/8
90	1	PTO122.981.049.1	Female Tube with Yoke and Lube System
91	1	PTO122.580.526.1	Male Tube with Yoke and Lube System
94	1	PTO142.283.260.2821	Half Female Guarding with Label
95	1	PTO142.287.230.2821	Half Male Guarding
96	1	PTO199811410F05006	Half Female Shaft with Guarding
97	1	PTO123.486.358.01	Half Male Shaft with Guarding
98	1	PTO190.000.216	DANGER Label for Outer Tube
99	1	PTO190.000.215	DANGER Label for Outer Guard Tube
100	1	PTO190.000.371	Instruction Manual
101	1	PTO180.018.393	Plastic Cap for Outer Tube
200	1	PTO165.000.628	Kit Collar for Yoke 1 3/8"

39851 - PTO. 375,450,525,(T60-086P265011-306048-CLS(3500NM))



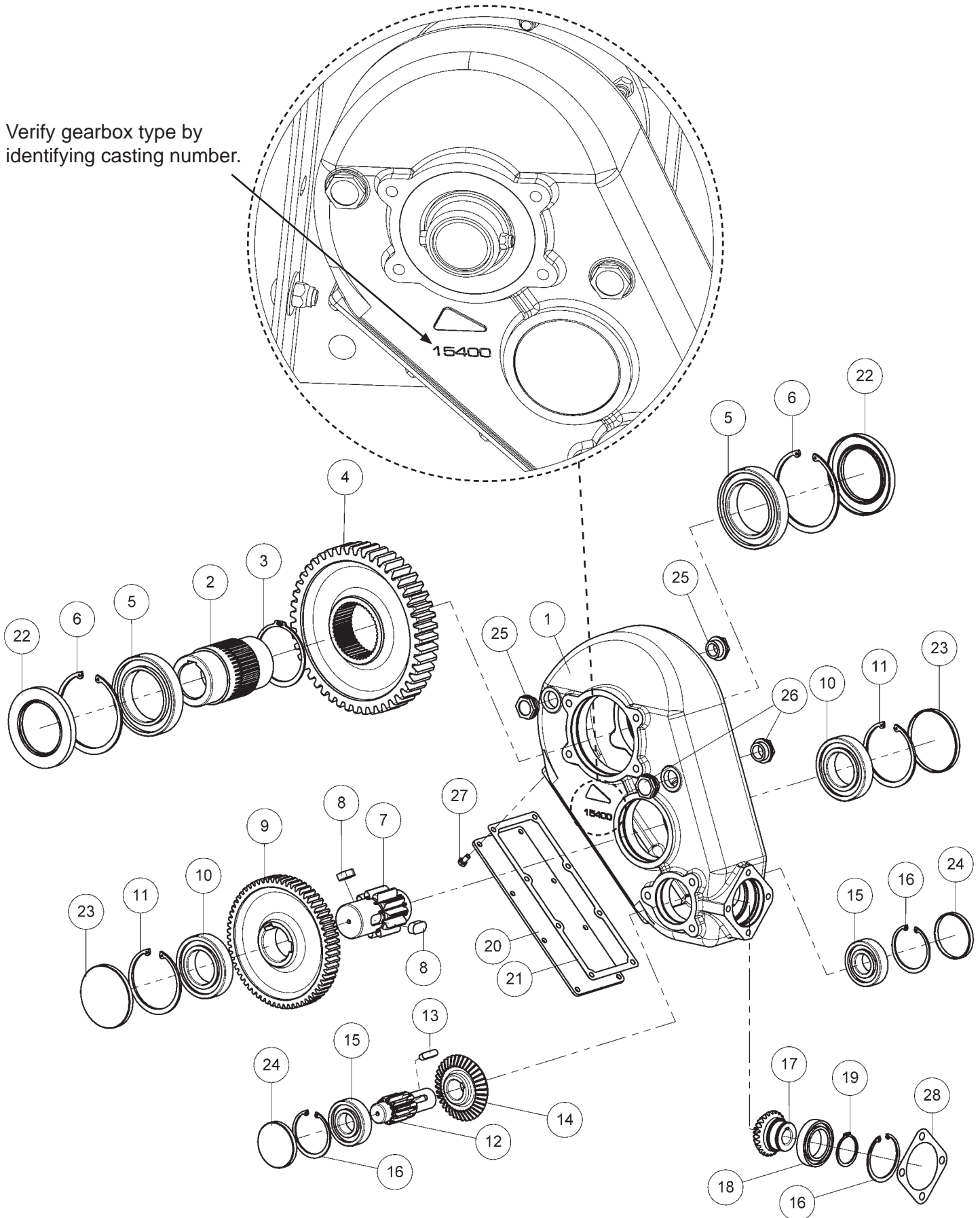
39851 - PTO. 375,450,525,(T60-086P265011-306048-CLS(3500NM))

ITEM	QTY	PART NUMBER	DESCRIPTION
1	1	PTO145.265.011.1	Complete Overrunningclutch R12
2	2	PTO180.016.780	Cross Journal Set
5	1	PTO151.016.028.1	Outer Yoke
11	1	PTO190.000.018	Roll Pin for Outer Tube
12	1	PTO180.016.572	Wiper
14	1	PTO152.160.435.0720	Complete Outer Tube
20	1	PTO180.017.411	Grease Nipple for Lube
30	1	PTO151.016.543.1	Flange FGL
31	1	PTO180.016.237	Guard Retaining Collar for Outer Tube
33	6	PTO180.014.240	Bolt
37	1	PTO180.016.238	Guard Retaining Collar for Inner Tube
38	2	PTO180.016.790	Safety Chains
40	1	PTO142.260.536.7621	Complete Guard for Instruction Manual
51	1	PTO190.000.451	Outer Circlip
52	1	PTO151.016.486	Sliding Sleeve Collar
53	1	PTO180.016.487	Spring
54	1	PTO180.015.143	Spring Push Ring
55	1	PTO190.000.183	Inner Circlip
56	1	PTO180.014.135	Retaining Washer
57	3	PTO190.000.078	Ball
58	1	PTO151.016.546	Hub R12 (1 3/8" Z6)
59	3	PTO151.014.136	Ratchet
60	3	PTO180.014.137	Leaf Spring
61	1	PTO190.000.199	Retaining Washer
62	1	PTO190.00.020	Grease Nipple M8x1
63	1	PTO141.026.210.1	Outer Casting with Yoke
71	1	PTO144.306.137.1	Automatic Torque Limiter (1 3/8" Z6)
72	8	PTO165.000.708	Special Screw M12x1.25x25 w/ Washers type "SCHNOOR"
73	1	PTO141.028.411.1	Outer Casing
74	1	PTO165.000.850	Complete Hub (2700Nm with Springs)
75	1	PTO180.018.400	Grease Retainer
76	4	PTO151.018.390	Ratchet
77	2	PTO165.000.752	Bolts M12x1.25x60 & Nuts
90	1	PTO122.360.088.1	Female Tube with Yoke and Lube System
91	1	PTO122.360.568.1	Male Tube with Yoke and Lube System
94	1	PTO142.266.311.7621	Half Female Guarding with Label
95	1	PTO142.267.286.7621	Half Male Guarding
96	1	PTO123.360.519.11	Half Female Shaft with Guarding
97	1	PTO123.460.1081.11	Half Male Shaft with Guarding
98	1	PTO190.000.216	DANGER Label for Outer Tube
99	1	PTO190.000.215	DANGER Label for Outer Guard Tube
100	1	PTO190.000.371	Instruction Manual
101	1	PTO180.016.468	Plastic Cap for Outer Tube

Section 6 - Gearboxes

30843 - Apron Chain Gearbox - Up to SN 23NRS406

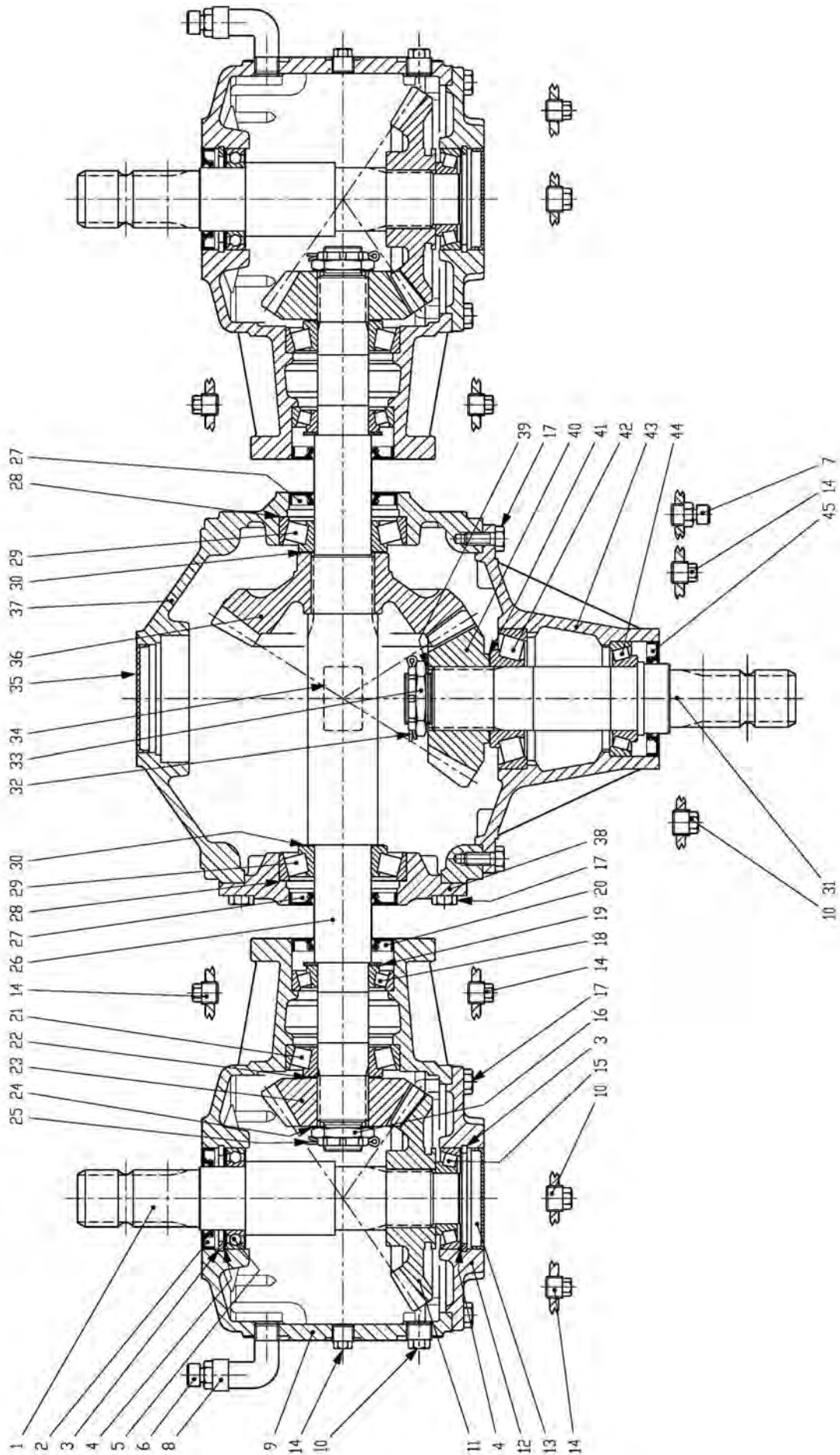
Verify gearbox type by identifying casting number.



30843 - Apron Chain Gearbox - Up to SN 23NRS406

ITEM	QTY	PART NUMBER	DESCRIPTION
1	1	30843-15400	Box
2	1	30843-15409	Hub
3	1	30843-07587	Circlip
4	1	30843-15402	Gear
5	2	30843-09526	Ball Bearing
6	2	30843-07479	Circlip
7	1	30843-15403	Gear
8	2	30843-15411	Key
9	1	30843-15404	Gear
10	2	30843-07748	Ball Bearing
11	2	30843-07482	Circlip
12	1	30843-15405	Gear
13	1	30843-03404	Key
14	1	30843-09462	Gear
15	2	30843-03339	Ball Bearing
16	3	30843-03435	Circlip
17	1	30843-09461	Gear
18	1	30843-01538	Ball Bearing
19	1	30843-03428	Circlip
20	1	30843-15406	Cover
21	1	30843-15407	Gasket
22	2	30843-09527	Seal
23	2	30843-09529	Plug
24	2	30843-08243	Seal
25	2	30843-09175	Plug
26	2	30842-01831	Plug
27	8	30843-03284	Bolt
28	1	30843-09915	Gasket

30846 - Beater Gearbox - Up to SN 24NRS401

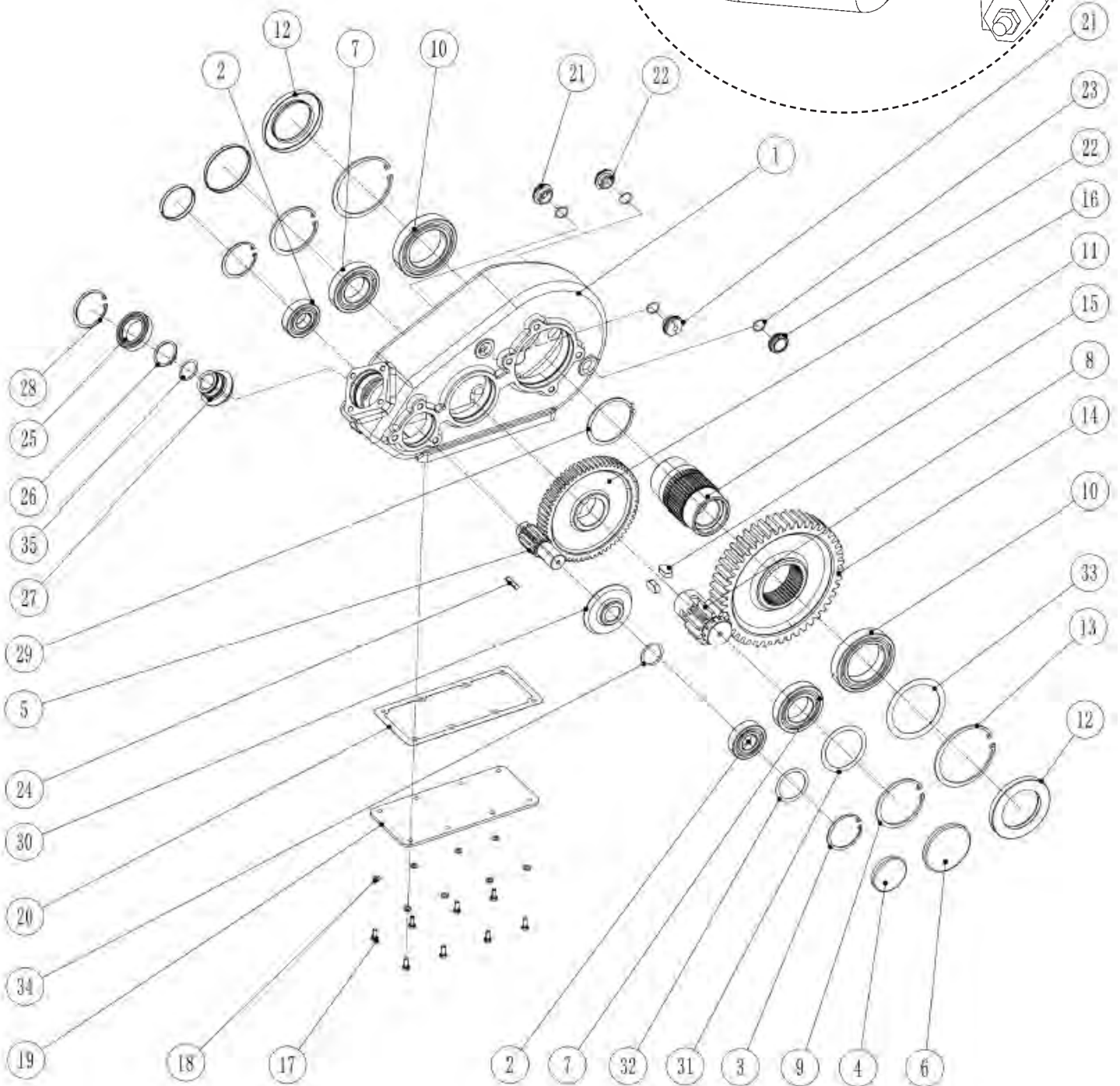
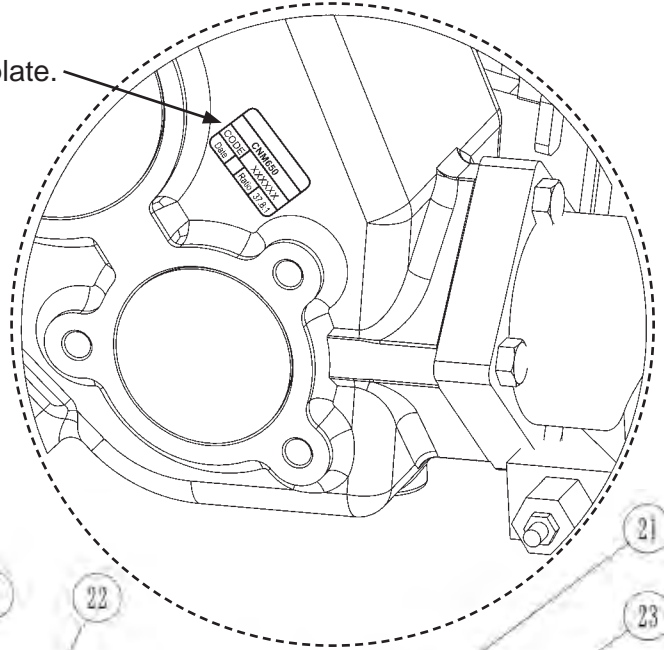


30846 - Beater Gearbox - Up to SN 24NRS401

ITEM	QTY	PART NUMBER	DESCRIPTION
1	2	0.290.3055.00	Shaft 1" 3/8 Z6
2	2	8.7.1.01929	Oil Seal Baud SL 50X80X10
3	4	8.5.2.01370	Snap Ring 80 UNI7438
4	4	0.267.7500.00	Shim 69.0x79.9
5	2	8.0.1.01344	Bearing 6010 2RS
6	2	8.6.7.01833	Oil Filler Plug 1/2" Gas
7	1	8.6.7.00161	Filler Breather Plug 3/8" Gas
8	2	8.6.0.01245	Elbow 90 Degree 1/2" Gas
9	2	0.290.0507.00	Casing
10	6	8.6.5.00203	Plug with Ex. Hex 1/2" Gas
11	2	0.272.5001.00	Crown Wheel Z28 M6.22
12	2	0.290.1367.00	Cover
13	2	8.7.0.00790	Gear Box Cap 80X10
14	9	8.6.5.00006	Plug Hexagon 3/8" Gas
15	2	8.0.9.01060	Bearing 30208
16	2	0.132.7106.00	Nut M30 X 1.5
17	34	8.1.1.00061	Bolt M10X25-8,8
18	2	8.0.9.00024	Bearing 30208
19	2	0.285.7525.00	Shim 61.7 X 2.5
20	2	8.7.1.00999	Double Lip Seal 45X80X10
21	2	8.0.9.00128	Taper Roller Bearing 30308
22	2	0.244.7500.00	Shim Kit 40.3 X 51.5
23	2	0.272.6001.00	Pinion Z19 M6.22
24	2	0.441.7510.00	Shim
25	2	8.4.7.01111	Cotter Pin B4X55
26	1	0.301.3017.00	Shaft 1" 3/4 Z6
27	2	8.7.1.02348	Oil Seal 45X85X10
28	1	0.703.7500.00	Shim 99.7
29	2	8.0.9.00107	Bearing 30309
30	2	0.252.7500.00	Shim 45.3 X 65.3
31	1	0.301.2000.00	Shaft 1" 3/4 Z6
32	1	8.4.7.01112	Cotter Pin B4X60
33	1	0.132.7107.00	Castle Nut M40 X 1.5
34	1	0.124.7101.00	Plate
35	1	0.121.7101.00	Cap 85 X 10
36	1	0.301.6002.00	Crown Wheel Z27 M7.5
37	1	0.301.0300.00	Casing
38	1	0.301.1302.00	Cover
39	1	0.244.7510.00	Shim 40.3 X 1.0
40	1	0.301.5002.00	Pinion Z17M7.5
41	1	0.712.7500.00	Shim 70.3
42	1	8.0.9.00268	Bearing 30310
43	1	0.301.1300.00	Extension
44	1	8.0.9.00469	Bearing 30210
45	1	8.7.1.01099	Double Lip Seal 55X90X10

49996 - Apron Chain Gearbox - SN 23NRS407 to Current

Verify gearbox brand by identifying tag plate.










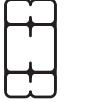



49996 - Apron Chain Gearbox - SN 23NRS407 to Current

ITEM	QTY	PART NUMBER	DESCRIPTION	NOTE
1	1	49996-01	Housing CNM650	
2	2	49996-02	Bearing 6307	
3	2	49996-03	Circlips For 80Dia	
4	2	49996-04	Seal Cover 80 10	
5	1	49996-05	Gear M3.5-11	
6	2	49996-06	Seal Cover 110 10	
7	2	49996-07	Bearing 6212	
8	1	49996-08	Gear Shaft M6-11	
9	2	49996-09	Circlips For 110dia	
10	2	49996-10	Bearing 6018	
11	1	49996-11	Exit Shaft 60dia	
12	2	49996-12	Seal 140 90 12	
13	2	49996-13	Circlips For 140dia	
14	1	49996-14	Gear M6-47 (Inc 14-15)	Items 14,15
15	2	49996-15	Key 18x11x35	
16	1	49996-16	Gear M3.5-64	
17	8	49996-17	Hex Bolt M8x20	
18	8	49996-18	Gasket GB/T 95 8	
19	1	49996-19	Cover CNM650	
20	1	49996-20	Gasket CNM650	
21	2	49996-21	Oil Level G1	
22	2	49996-22	Oil Plug G1	
23	4	49996-23	Gasket G1	
24	1	49996-24	Key 10x8x40	
25	1	49996-25	Bearing 6010	
26	1	49996-26	Circlips For 50dia	
27	1	49996-27	Bevel Gear M3-25 32Dia	
28	1	49996-28	Circlips For 80dia	
29	1	49996-29	Circlips For Shafts 100dia	
30	1	49996-30	Bevel Gear M3-38	Items 24-30
31	1	49996-31	Shim Kit 60.2x72x0.2/.01	
32	1	49996-32	Shim Kit 35.2x44x0.2/.01	
33	2	49996-33	Shim Kit 90.2x100x0.2/.01	
34	1	49996-34	Shim Kit 79.8x70x0.2	
35	1	49996-35	Shim Kit 79.8x70x0.2	
		49996-RK	CNM650 Repair Kit	
		49996-SK	CNM650 Seal Kit	

49604 - Beater Gearbox - SN 24NRS403 to Current

49604 - Beater Gearbox - Up to SN 24NRS402 to Current

Torque Value Chart - Imperial

SAE Grade and Head Markings	1 or 2 ^b	5	5.1	5.2	8	8.2
	NO MARK 					
SAE Grade and Nut Markings	2	5		8		
	NO MARK 					

Size	Grade 1				Grade 2 ^b				Grade 5, 5.1, or 5.2				Grade 8 or 8.2			
	Lubricated ^a		Dry ^a		Lubricated ^a		Dry ^a		Lubricated ^a		Dry ^a		Lubricated ^a		Dry ^a	
	N-m	lb-ft	N-m	lb-ft	N-m	lb-ft	N-m	lb-ft	N-m	lb-ft	N-m	lb-ft	N-m	lb-ft	N-m	lb-ft
1/4	3.7	2.8	4.7	3.5	6	4.5	7.5	5.5	9.5	7	12	9	13.5	10	17	12.5
5/16	7.7	5.5	10	7	12	9	15	11	20	15	25	18	28	21	35	26
3/8	14	10	17	13	22	16	27	20	35	26	44	33	50	36	63	46
7/16	22	16	28	20	35	26	44	32	55	41	70	52	80	58	100	75
1/2	33	25	42	31	53	39	67	50	85	63	110	80	120	90	150	115
9/16	48	36	60	45	75	56	95	70	125	90	155	115	175	130	225	160
5/8	67	50	85	62	105	78	135	100	170	125	215	160	240	175	300	225
3/4	120	87	150	110	190	140	240	175	300	225	375	280	425	310	550	400
7/8	190	140	240	175	190	140	240	175	490	360	625	450	700	500	875	650
1	290	210	360	270	290	210	360	270	725	540	925	675	1050	750	1300	975
1-1/8	400	300	510	375	400	300	510	375	900	675	1150	850	1450	1075	1850	1350
1-1/4	570	425	725	530	570	425	725	530	1300	950	1650	1200	2050	1500	2600	1950
1-3/8	750	550	950	700	750	550	950	700	1700	1250	2150	1550	2700	2000	3400	2550
1-1/2	1000	725	1250	925	990	725	1250	930	2250	1650	2850	2100	3600	2650	4550	3350

DO NOT use these values if a different torque value or tightening procedure is given for a specific application. Torque values listed are for general use only. Check tightness of fasteners periodically.

Shear bolts are designed to fail under predetermined loads. Always replace shear bolts with identical grade.

Fasteners should be replaced with the same or higher grade. If higher grade fasteners are used, these should only be tightened to the strength of the original.

Make sure fasteners threads are clean and that you properly start thread engagement. This will prevent

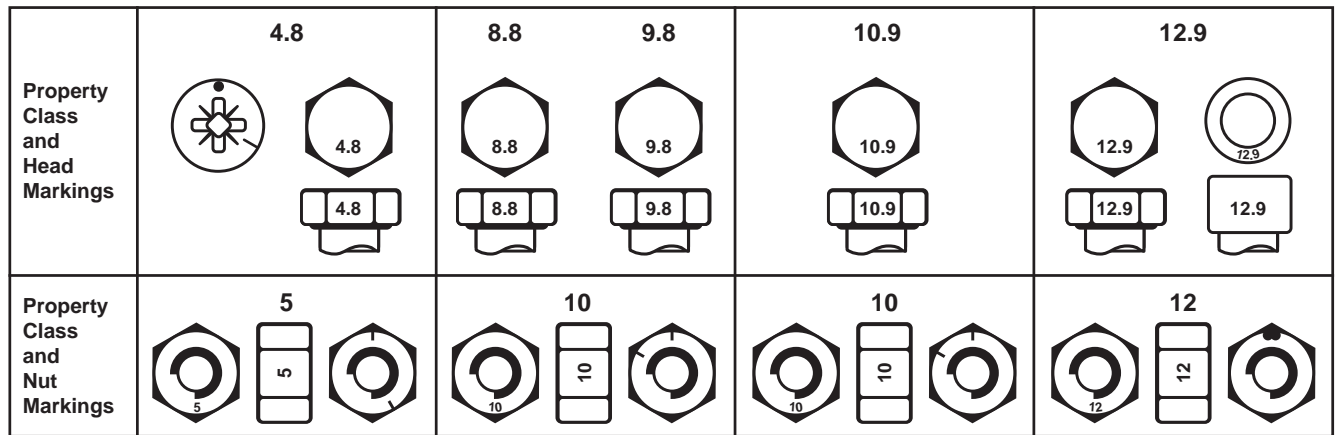
them from failing when tightening.

Tighten plastic insert or crimped steel-type lock nuts to approximately 50 percent of the dry torque shown in the chart, applied to the nut, not to the bolt head. Tighten toothed or serrated-type lock nuts to the full torque value.

^a "Lubricated" means coated with a lubricant such as engine oil, or fasteners with phosphate and oil coatings. "Dry" means plain or zinc plated without any lubrication.

^b Grade 2 applies for hex cap screws (not hex bolts) up to 152 mm (6-in.) long. Grade 1 applies for hex cap screws over 152 mm (6-in.) long, and for all other types of bolts and screws of any length.

Torque Value Chart - Metric



Size	Class 4.8				Class 8.8 or 9.8				Class 10.9				Class 12.9			
	Lubricated ^a		Dry ^a		Lubricated ^a		Dry ^a		Lubricated ^a		Dry ^a		Lubricated ^a		Dry ^a	
	N-m	lb-ft	N-m	lb-ft	N-m	lb-ft	N-m	lb-ft	N-m	lb-ft	N-m	lb-ft	N-m	lb-ft	N-m	lb-ft
M6	4.8	3.5	6	4.5	9	6.5	11	8.5	13	9.5	17	12	15	11.5	19	14.5
M8	12	8.5	15	11	22	16	28	20	32	24	40	30	37	28	47	35
M10	23	17	29	21	43	32	55	40	63	47	80	60	75	55	95	70
M12	40	29	50	37	75	55	95	70	110	80	140	105	130	95	165	120
M14	63	47	80	60	120	88	150	110	175	130	225	165	205	150	260	190
M16	100	73	125	92	190	140	240	175	275	200	350	255	320	240	400	300
M18	135	100	175	125	260	195	330	250	375	275	475	350	440	325	560	410
M20	190	140	240	180	375	275	475	350	530	400	675	500	625	460	800	580
M22	260	190	330	250	510	375	650	475	725	540	925	675	850	625	1075	800
M24	330	250	425	310	650	475	825	600	925	675	1150	850	1075	800	1350	1000
M27	490	360	625	450	950	700	1200	875	1350	1000	1700	1250	1600	1150	2000	1500
M30	675	490	850	625	1300	950	1650	1200	1850	1350	2300	1700	2150	1600	2700	2000
M33	900	675	1150	850	1750	1300	2200	1650	2500	1850	3150	2350	2900	2150	3700	2750
M36	1150	850	1450	1075	2250	1650	2850	2100	3200	2350	4050	3000	3750	2750	4750	3500

DO NOT use these values if a different torque value or tightening procedure is given for a specific application. Torque values listed are for general use only. Check tightness of fasteners periodically.

Shear bolts are designed to fail under predetermined loads. Always replace shear bolts with identical property class.

Fasteners should be replaced with the same or higher property class. If higher property class fasteners are used, these should only be tightened to the strength of the original.

Make sure fasteners threads are clean and that you

properly start thread engagement. This will prevent them from failing when tightening.

Tighten plastic insert or crimped steel-type lock nuts to approximately 50 percent of the dry torque shown in the chart, applied to the nut, not to the bolt head. Tighten toothed or serrated-type lock nuts to the full torque value.

a "Lubricated" means coated with a lubricant such as engine oil, or fasteners with phosphate and oil coatings. "Dry" means plain or zinc plated without any lubrication.

Index

30843 - Apron Chain Gearbox - Up to SN 23NRS4066-1
30846 - Beater Gearbox - Up to SN 24NRS4016-3
39850 - PTO. 375,450,525,600,750 (V80-141P028359-028028-CV80-CLS)5-2
39851 - PTO. 375,450,525,(T60-086P265011-306048-CLS(3500NM)5-4
45307 - Beaters - Up to SN 24NRS401	2-16
49604 - Beater Gearbox - SN 24NRS403 to Current6-7
49849 - Beaters - SN 24NRS402 to Current	2-20
49996 - Apron Chain Gearbox - SN 23NRS407 to Current6-5
Apron Runners	2-12
Beater Gearbox - 1 3/4" 6-Spline - Up to SN 24NRS401.	2-18
Boards	2-24
Driveline	2-22
Electric Flow Control Wiring	3-14
Endgate.	2-14
Endgate Indicator Kit - 45414	3-18
Flange Paddle Kit - 41503 - Up to SN 24NRS401.	3-16
Flange Paddle Kit - 47961 - SN 24NRS402 to Current	3-17
Flow Control Hydraulic Layout - Electric (Current).	3-13
Flow Control Hydraulic Layout - Electric (Original)	3-12
Flow Control Hydraulic Layout - Manual.	3-11
Flow Control Mounting	3-10
Front Apron Drive.2-8
Front Components2-4
Front Scraper2-6
Hitch Options3-2
Hydraulic Schematic.	2-32
ISO Safety Decal Locations VI
ISO Safety Decals VII
Light Kit Wiring Harness3-6
Manuals II
Mechanical Light Kit - 436733-4
Model Decal Locations V
N750LC (GT400) / N750LCNT460 Scales3-8
N750LCNT8000 Scales3-9
Nitro Apron Chain Warranty II
Optional Kit Numbers3-1
Parts Manual II
Poultry Beaters - 43976 - Short Driveline	4-17
Poultry Beaters - 43977 - Long Driveline	4-19
Poultry Beaters - 45002 - Gearbox Assembly	4-11
Poultry Beaters - 45003 - Gearbox Assembly	4-13
Poultry Beaters - 45004 - Gearbox Assembly	4-15
Poultry Beaters - 50241 - Light Kit Extension Option	4-21
Poultry Beaters - Beaters4-5

Poultry Beaters - Drivelines4-7
Poultry Beaters - Endgate4-3
Poultry Beaters - Frame.4-1
Poultry Beaters - Spinners4-9
Rear Apron Drive	2-10
Safety Signs	V
Section 2 - Parts Breakdowns & Lists2-1
Section 3 - Optional Features3-1
Section 4 - Option - Poultry Beaters4-1
Section 5 - PTOs5-1
Section 6 - Gearboxes6-1
Serial Number.	II
Silage Side Extensions - TLVSSE725	3-20
Single Axle	2-26
Tandem Axle - Non Scale Ready	2-28
Tandem Axle - Scale Ready	2-30
Tongue2-2
Torque Value Chart - ImperialVIII
Torque Value Chart - MetricIX
Warranty and Limitation of Liability	II



Scan with smartphone to
download latest manual.

TUBE•LINE™